

**Serie | 6, Built-in oven, 60 x 60 cm,  
Stainless steel  
HBG5785S0B**



**Included accessories**

2 x combination grid  
1 x universal pan

**Optional accessories**

HEZ327000 :  
HEZ531000 :  
HEZ531010 : Baking tray, non-stick ceramic coated  
HEZ538000 :  
HEZ634000 :  
HEZ638300 :  
HEZ915003 :

**The built-in oven with meatprobe and  
AutoPilot: automatically prepares your  
dishes to perfection.**



- **The built-in oven with meatprobe and AutoPilot:** automatically prepares your dishes to your liking
- **AutoPilot 30:** every dish is a perfect success thanks to 30 pre-set automatic programmes.
- **Pop-out controls:** for an easy to clean front.
- **Pyrolytic self-cleaning:** effortless cleaning thanks to pyrolytic cleaning programmes
- **Drop down door with SoftOpen and SoftClose:** the oven door opens and closes gently and quietly

**Technical Data**

Color / Material Front :	Stainless steel
Construction type :	Built-in
Integrated Cleaning system :	Pyrolytic
Required niche size for installation (HxWxD) :	585-595 x 560-568 x 550
Dimensions :	595 x 594 x 548
Dimensions of the packed product (HxWxD) (mm) :	675 x 690 x 660
Control Panel Material :	Stainless steel
Door Material :	Glass
Net weight (kg) :	38.242
Usable volume of cavity (l) :	71
Cooking method :	Bottom heat, Conventional heat, Defrost, Full width grill, Hot Air, Hotair gentle, Hot air grilling, low temperature cooking, Pizza setting, warming
First cavity material :	Other
Temperature control :	electronic
Number of interior lights :	1
Approval certificates :	CE, VDE
Length of electrical supply cord (cm) :	120
EAN code :	4242005057283
Number of cavities (2010/30/EC) :	1
Energy efficiency rating :	A
Energy consumption per cycle conventional (2010/30/EC) :	0.99
Energy consumption per cycle forced air convection (2010/30/EC) :	0.81
Energy efficiency index (2010/30/EC) :	95.3
Connection rating (W) :	2990
Current (A) :	13
Voltage (V) :	220-240
Frequency (Hz) :	60; 50
Plug type :	no plug



## Serie | 6, Built-in oven, 60 x 60 cm, Stainless steel HBG5785S0B

**The built-in oven with meatprobe and AutoPilot: automatically prepares your dishes to perfection.**

### Design

- LCD-display control (white)
- Interior halogen light
- Straight bar handle
- Drop down door, SoftClose, SoftOpen

### Features

- Electronic door lock  
Control panel lock  
Automatic safety switch off  
Residual heat indicator
- Digital temperature display with proposal  
Heating-up indicator  
AutoPilot  
Automatic start
- 5 shelf positions
- AutoPilot, 30
- Automatic programmes
- Single-point meat probe
- Electronic clock timer

### Cleaning

- Pyrolytic self-cleaning function

### Programmes/functions

- Oven with 10 cooking functions: heating methods: 3D Hotair, conventional top and bottom heat, Hotair grilling, full width variable grill, pizza function, bottom heat, low temperature cooking, defrost, keep warm, Hotair gentle
- Fast pre-heating function

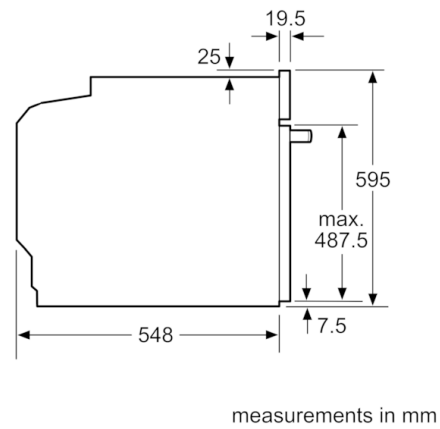
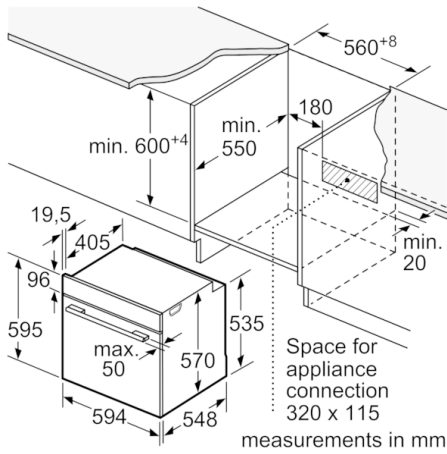
### Accessories

- 1 set of level independent telescopic rails, Stop function
- 1 x universal pan, 2 x combination grid

### Performance/technical information

- Energy efficiency rating (acc. EU Nr. 65/2014): A
- Energy consumption per cycle in conventional mode: 0.99 kWh
- Energy consumption per cycle in fan-forced convection mode: 0.81 kWh
- Number of cavities: Main cavity
- Heat source: electrical
- Cavity volume: 71 litre capacity
- Temperature range 30 °C - 275 °C
- Integral cooling fan
- 120 cm Cable length
- Total connected load electric: 2.99 KW
- Nominal voltage: 220 - 240 V
- Appliance dimension (hxwxd): 595 mm x 594 mm x 548 mm
- Niche dimension (hxwxd): 585 mm - 595 mm x 560 mm - 568 mm x 550 mm
- Please refer to the dimensions provided in the installation manual

**Serie | 6, Built-in oven, 60 x 60 cm, Stainless steel**  
**HBG5785S0B**



Installation with a hob.

