

**Serie | 6, Built-in oven, 60 x 60 cm,
Stainless steel
HBG5585S0B**



Included accessories

2 x combination grid
1 x universal pan

Optional accessories

HEZ327000 : Pizza stone
HEZ531000 : Baking tray, grey enamelled
HEZ531010 : Baking tray, non-stick ceramic coated
HEZ538000 : 1fold telescopic rail, level independent
HEZ634000 : Baking and roasting grid (standard)
HEZ638300 : 3 level telescopic rails, full ext
HEZ915003 : Glass roasting dish, 5,4 L

**The built-in oven with meatprobe and
AutoPilot: automatically prepares your
dishes to perfection.**

- **The built-in oven with meatprobe and AutoPilot:** automatically prepares your dishes to your liking
- **AutoPilot 30:** every dish is a perfect success thanks to 30 pre-set automatic programmes.
- **Pop-out controls:** for an easy to clean front.
- **EcoClean Direct:** almost no cleaning is necessary thanks to a special coating.
- **Drop down door with SoftOpen and SoftClose:** the oven door opens and closes gently and quietly

Technical Data

Color / Material Front :	Stainless steel
Construction type :	Built-in
Integrated Cleaning system :	Catalytic all sides, Hydrolytic
Required niche size for installation (HxWxD) :	585-595 x 560-568 x 550
Dimensions :	595 x 594 x 548
Dimensions of the packed product (HxWxD) (mm) :	675 x 690 x 660
Control Panel Material :	Stainless steel
Door Material :	Glass
Net weight (kg) :	34.042
Usable volume of cavity (l) :	71
Cooking method :	Bottom heat, Conventional heat, Defrost, Full width grill, Hot Air, Hotair gentle, Hot air grilling, low temperature cooking, Pizza setting, warming
First cavity material :	Other
Temperature control :	electronic
Number of interior lights :	1
Approval certificates :	CE, VDE
Length of electrical supply cord (cm) :	120
EAN code :	4242005057276
Number of cavities (2010/30/EC) :	1
Energy efficiency rating :	A
Energy consumption per cycle conventional (2010/30/EC) :	0.97
Energy consumption per cycle forced air convection (2010/30/EC) :	0.81
Energy efficiency index (2010/30/EC) :	95.3
Connection rating (W) :	2990
Current (A) :	13
Voltage (V) :	220-240
Frequency (Hz) :	60; 50
Plug type :	no plug



Serie | 6, Built-in oven, 60 x 60 cm, Stainless steel HBG5585S0B

The built-in oven with meatprobe and AutoPilot: automatically prepares your dishes to perfection.

Design

- LCD-display control (white)
- Drop down door, SoftClose, SoftOpen
- 5 shelf positions
- Rotary dial, Retractable control dials, round
- Straight bar handle
- We recommend you to choose complementary products within SER6, in order to assure an optimal design combination of your Built-In appliances.

Features

- Control panel lock
Automatic safety switch off
Residual heat indicator
- Digital temperature display with proposal
Heating-up indicator
AutoPilot
Automatic start
Temperature probe
- AutoPilot, 30
- Single-point meat probe
- Electronic clock timer
- Interior halogen light, Light on/off when oven door opened/closed
- Integral cooling fan

Cleaning

- EcoClean Direct : ceiling, back panel, side liners
- EcoClean Direct programme

Programmes/functions

- Oven with 10 cooking functions: heating methods: 3D Hotair, conventional top and bottom heat, Hotair grilling, full width variable grill, pizza function, bottom heat, low temperature cooking, defrost, keep warm, Hotair gentle
- Fast pre-heating function

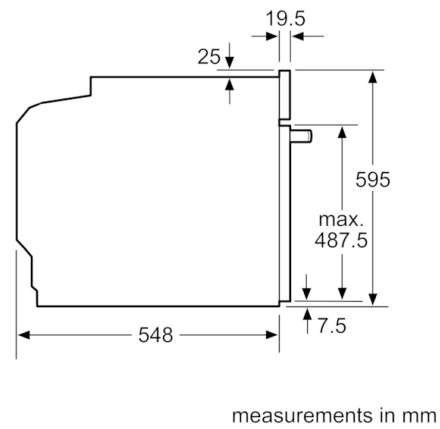
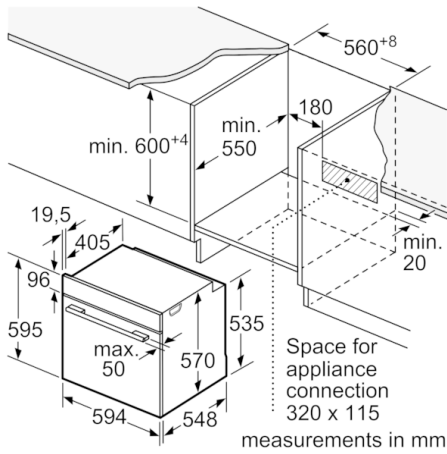
Accessories

- 1 x universal pan, 2 x combination grid
- 1 set of level independent telescopic rails, Stop function

Performance/technical information

- Energy efficiency rating (acc. EU Nr. 65/2014): A
- Energy consumption per cycle in conventional mode: 0.97 kWh
- Energy consumption per cycle in fan-forced convection mode: 0.81 kWh
- Number of cavities: Main cavity
- Heat source: electrical
- Cavity volume: 71 litre capacity
- Temperature range 30 °C - 275 °C
- 120 cm Cable length
- Total connected load electric: 2.99 KW
- Nominal voltage: 220 - 240 V
- Appliance dimension (hxwxd): 595 mm x 594 mm x 548 mm
- Niche dimension (hxwxd): 585 mm - 595 mm x 560 mm - 568 mm x 550 mm
- Please refer to the dimensions provided in the installation manual

Serie | 6, Built-in oven, 60 x 60 cm, Stainless steel
HBG5585S0B



Installation with a hob.

