

**Series 6, Built-in oven, 60 x 60 cm,
Stainless steel
HBA53B150B**



Included accessories

1 x insert grid, 2 x combination grid, 1 x universal pan

Optional accessories

HEZ24D300 System steam cooker, HEZ317000 Pizza pan, enamelled, HEZ324000 Inlaid wire shelf for multipurpose pan, HEZ325000 Grill tray, HEZ327000 Pizza stone, HEZ329020 EcoClean set, HEZ331003 Enamelled baking tray, HEZ331011 Baking tray, anti-adherent coating, HEZ332003 Multipurpose pan, HEZ332011 Multipurpose pan, anti-adherent, HEZ333001 Lid for professional pan, HEZ333003 Professional pan, HEZ334000 Wire shelf, HEZ336000 Glass pan, HEZ338250 2 level telescopic shelf rails, HEZ338352 3 level telescopic shelf rails, full ext., HEZ390010 Stainless steel roaster, HEZ915003 Glass roasting dish, 5,4 L

The built-in oven that assists with its cleaning: you have to clean less thanks to reduced soiling during the cooking process.

- **3D Hotair:** even heat distribution for perfect results on up to three levels.
- **Pop-out controls:** Make the front of the oven easy to clean and give it a sleek look.
- **EcoClean Direct:** easy cleaning thanks to a coating that breaks down grease while you bake.
- **Fast pre heating**

Technical Data

Built-in / Free-standing: Built-in
 Integrated Cleaning system: Ecolyse coating all sides, Ecolyse coating all sides
 Min. required niche size for installation (HxWxD): 575-597 x 560-568 x 550 mm
 Dimensions: 595 x 595 x 548 mm
 Dimensions of the packed product (HxWxD): 670 x 670 x 680 mm
 Control Panel Material: Stainless steel
 Door Material: Glass
 Net weight: 37.2 kg
 Usable volume of cavity: 66 l
 Cooking method: ..Defrost, Hot Air, Conventional heat, Pizza setting, Bottom heat, Hot air grilling, Full width variable grill, Half width variable grill
 Oven control: mechanical
 Number of interior lights: 1
 Length electrical supply cord: 150.0 cm
 EAN code: 4242002898339
 Number of cavities (2010/30/EC): 1
 Energy efficiency rating: A
 Energy consumption per cycle conventional (2010/30/EC):0.95 kWh/cycle
 Energy consumption per cycle forced air convection (2010/30/EC): 82 kWh/cycle
 Energy efficiency index (2010/30/EC): 98.8 %
 Connection rating: 2990 W
 Fuse protection: 13 A
 Voltage: 220-240 V
 Frequency: 50; 60 Hz
 Plug type: no plug (electrical connection by electrician)
 Included accessories: 1 x insert grid, 2 x combination grid, 1 x universal pan



Series 6, Built-in oven, 60 x 60 cm, Stainless steel HBA53B150B

The built-in oven that assists with its cleaning: you have to clean less thanks to reduced soiling during the cooking process.

Key Information

- Mechanical control
- Drop down door

Design

- Retractable control dials, Rotary dial
- Straight bar handle

Features

- Electronic clock timer
- 1 interior light
- Control panel lock
- Cavity inner surface: Smooth enamelled oven interior
- Smooth enamelled oven interior
- 5 shelf positions
- Full glass inner door

Programmes/functions

- Oven with 8 cooking functions:, 8 cooking functions: heating methods: 3D Hotair, conventional top and bottom heat, Hotair grilling, pizza function, bottom heat, defrost, full width variable grill, half width variable grill
- Fast pre-heating function

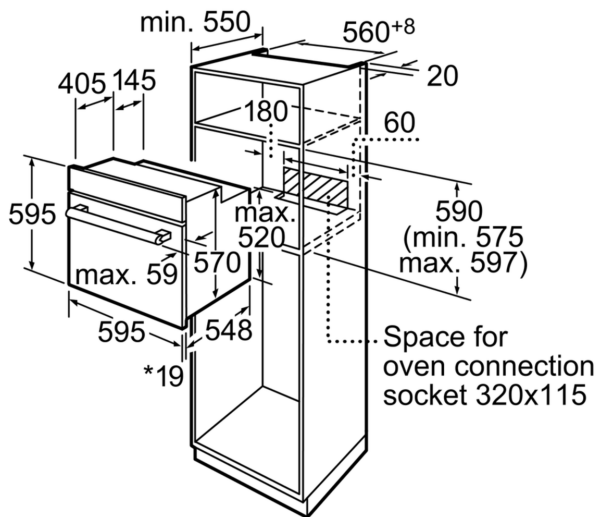
Performance/technical information

- Cavity volume: 66 litre
- Integral cooling fan
- Stainless-steel fan
- Power cord length 150 cm Cable length
- Total connected load electric: 2.99 KW
- Appliance dimension (hxwxd): 595 mm x 595 mm x 548 mm
- Niche dimension (hxwxd): 575 mm - 597 mm x 560 mm - 568 mm x 550 mm
- Please refer to the dimensions provided in the installation manual
- Maximum window temperature 40° C
- Energy efficiency rating (acc. EU Nr. 65/2014): A
- Energy consumption per cycle in conventional mode:98.8
- Energy consumption per cycle in fan-forced convection mode:0.82 kwh
- Number of cavities: 1 Cavity volume:66 litre

Standard accessories

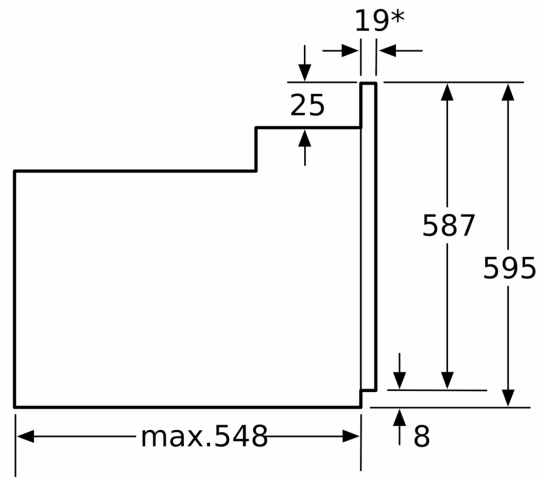
- 1 x insert grid, 2 x combination grid, 1 x universal pan

**Series 6, Built-in oven, 60 x 60 cm,
Stainless steel
HBA53B150B**



*20 mm for metal fascias

Measurements in mm



* 20 mm for metal fascias

Dimensions in mm