

**Series 4, Free-standing freezer, 186 x 60 cm, Stainless steel look GSN36VLFPG**



2 x cold accumulator, 1 x ice cube tray

KSZ39AL00 Connection set inox

**This energy efficient freezer with 4 transparent freezer drawers: provides ample room and a good overview**

- **NoFrost:** never defrost again, thanks to perfect protection from ice formation - that saves time and effort.
- **VarioZone:** more flexibility due to variable-use glass shelves and drawers in the freezer compartment.
- **Big Box drawer:** easily stack food containers and store larger items in your freezer.
- **Multi Airflow System:** even air distribution for longer freshness.



Energy Efficiency Class: .....	F
Average annual energy consumption in kilowatt hour per year (kWh/a): .....	294 kWh/annum
Sum of volume of frozen compartments: .....	242 l
Airborne acoustical noise emissions : .....	39 dB(A) re 1pW
Airborne acoustical noise emission class: .....	C
Thermometer freeze section: .....	Digital
Light: .....	No
Product category: .....	Upright freezer
Built-in / Free-standing: .....	Freestanding
Door panel options: .....	Not possible
Frost free system: .....	Fridge and freezer
Height of the appliance: .....	1860 mm
Width of the appliance: .....	600 mm
Depth: .....	650 mm
Dimensions of the packed product (HxWxD): ...	1925 x 660 x 765 mm
Net weight: .....	70.4 kg
Gross weight: .....	76.1 kg
Fuse protection: .....	10 A
Frequency: .....	50 Hz
Length electrical supply cord: .....	230.0 cm
Door hinge: .....	Right reversible
Defrost process: .....	Automatic
Warning signal / malfunction: .....	Both visual and audible
Door lock: .....	No
Number of drawers/baskets (Stck): .....	4
Number of freezing flaps (Stck): .....	0
EAN code: .....	4242005321377
Brand: .....	Bosch
Product name / Commercial code: .....	GSN36VLFPG
Product category: .....	Upright freezer
Included accessories: .....	2 x cold accumulator, 1 x ice cube tray



## **Series 4, Free-standing freezer, 186 x 60 cm, Stainless steel look GSN36VLFPG**

**This energy efficient freezer with 4 transparent freezer drawers: provides ample room and a good overview**

### **Functions**

- NO\_FROST\_NEU\_BL, never have to defrost ever again

### **Design features**

- Stainless steel look doors and Pearl grey (VZF 07127) side panels
- Aluminium Vertical door handle
- LED electronic control

### **Food freshness system**

- Easy Access open shelving zone - store and access food easily with our conveniently open freezer shelves

### **Dimension and installation**

- Right hinged door, door reversible
- Dimensions: 186 cm H x 60 cm W x 65 cm D
- Height adjustable front feet
- Door opening: No side clearance needed at all. Full access to all drawers, door opening angle 90°.
- Transportation handles
- 220 - 240 V

### **Key features - Freezer section**

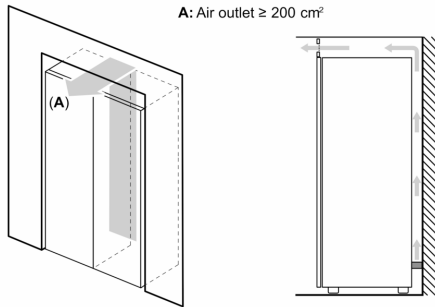
- Freezer malfunction warning signal: optical and acoustical warning system
- Freshsense - Constant temperature control by intelligent sensor technology
- SuperFreeze function with automatic deactivation
- MultiAirflow system - improves circulation of air around the fridge
- 1 ice cube tray
- Vario Zone - removable safety glass shelves for extra space!
- 4 transparent freezer drawers, 2 BigBox
- cold accumulator, ice cube tray
- Based on the results of the standard 24-hour test. Actual consumption depends on usage/position of the appliance.
- To achieve the declared energy consumption, the attached distanceholders have to be used. As a result, the appliance depth increases by about 3.5 cm. The appliance used without the distance holder is fully functional, but has a slightly higher energy consumption.

### **Dimension and installation**

#### **Performance and Consumption**

- EU19\_EEK\_D: F
- Total Volume : 242 l
- Net Freezer Volume : 242 l
- Freezing capacity 24h : 19 kg
- Annual Energy Consumption: 294 kWh/a
- Climate Class: SN-T
- EU19\_Fast freezer facility\_D
- Noise Level : 39 dB , EU19\_Noise emission class\_D: C
- Temperature rise time : EU19\_Temperature rise time\_D: 9 H

## Series 4, Free-standing freezer, 186 x 60 cm, Stainless steel look GSN36VLFPG



	a	b	c	d	e	f
KSW36, GSD36	187					
KSV36, KSF36, GSN36, GSV36	186					
KSV33, GSN33, GSV33	176	60	65	58	60	119.5
KSV29, GSN29, GSV29	161					
GSV24	146					
GSN51	161					
GSN54	176	70	78	70	70	142
GSN58	191					

a Height  
b Width  
c Depth with closed door w/o handle and w/o distance part  
d Depth of cabinet w/o distance part  
e Width with open door w/o handle  
f Depth with open door w/o handle w/o distance part

measurements in cm

