

Serie | 6, Built-in freezer, 87.4 x 55.8 cm
GIV21AF30



A++

The freezer with low energy and 3 transparent freezer drawers: provides ample room and a good overview - very efficient.

- **Automatic super freezing:** for freezing smaller food loads faster whilst protecting your frozen items from defrosting, thanks to the detection of temperature increase
- **BigBox frozen food drawer:** for stacking storage containers or for large frozen food items.
- **LowFrost:** defrost less often thanks to lower ice formation - saves work and is energy-efficient.

Technical Data

Thermometer freeze section :	None
Light :	No
Product category :	Upright freezer
Construction type :	Built-in
Door panel options :	Not possible
Frost free system :	No
Height of the product (mm) :	874
Width of the appliance :	558
Depth of the product :	545
Dimensions of the packed product (HxWxD) (mm) :	950 x 640 x 620
Net weight (kg) :	40.328
Gross weight (kg) :	43.1
Connection rating (W) :	90
Fuse protection (A) :	10
Frequency (Hz) :	50
Approval certificates :	CE, VDE
Length of electrical supply cord (cm) :	230
Door hinge :	Right reversible
Storage Period in Event of Power Failure (h) :	22
Defrost process :	manual
Warning signal / malfunction :	visual and audible
Lockable door :	No
Number of drawers/baskets (Stck) :	3
Number of freezing flaps (Stck) :	0
EAN code :	4242002919775
Brand :	Bosch
Product name / Commercial code :	GIV21AF30
Product category :	Upright freezer
Energy consumption annual (kWh/annum) - NEW (2010/30/EC) :	157.00
Freezer Net capacity (l) - NEW (2010/30/EC) :	97
Freezing capacity (kg/24h) - NEW (2010/30/EC) :	8
Climate class :	SN-T
Noise level (dB(A) re 1 pW) :	36
Installation type :	Full-integrated



Serie | 6, Built-in freezer, 87.4 x 55.8 cm GIV21AF30

The freezer with low energy and 3 transparent freezer drawers: provides ample room and a good overview - very efficient.

Performance and Consumption

- Energy Efficiency Class: A++
- Energy consumption: 0 kWh/24 hours
- Energy consumption: 157 kWh kWh/yr.
- Total net capacity: 97 l litres
- Noise level dB(A) re 1 pW: 36

Design features

- LowFrost - less ice creation and therefore quicker defrosting - less ice build up, faster defrosting
- Fixed hinge
- LED electronic control
- SuperFreeze function with automatic deactivation
- Freezer malfunction warning signal: optical, acoustical

Freezer Section

- Net freezer capacity: 97 litres
- Freezing capacity in 24 hours: 8 kg
- Maximum freezer storage time in power failure: 22 hours
- 3 transparent freezer drawers, including 1 BigBox

Technical Information

- Right hinged door, door reversible
- Climate class SN-T (suitable for ambient temperatures between 10 and 43°C)
- Connection value 90 W
- 220 - 240 V

Dimension and installation

- Niche Dimensions: 88 cm H x 56 cm W x 55 cm D
- Dimensions: 87.4 cm H x 55.8 cm W x 54.5 cm D

Accessories

- cold accumulator, ice cube tray

Included accessories

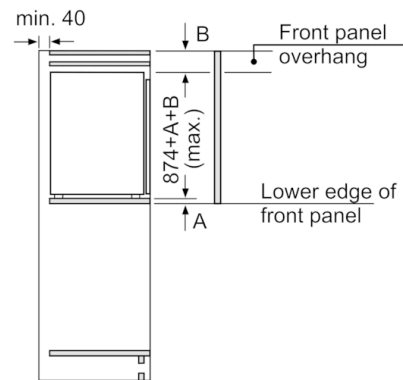
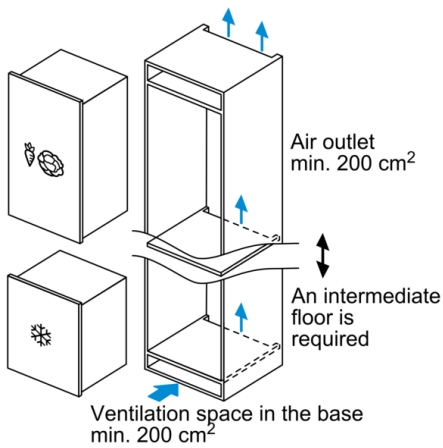
- KFZ20AX0, KFZ20SX0

Country Specific Options

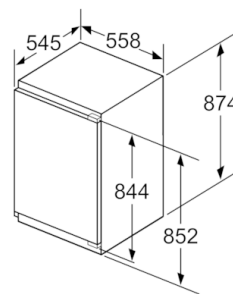
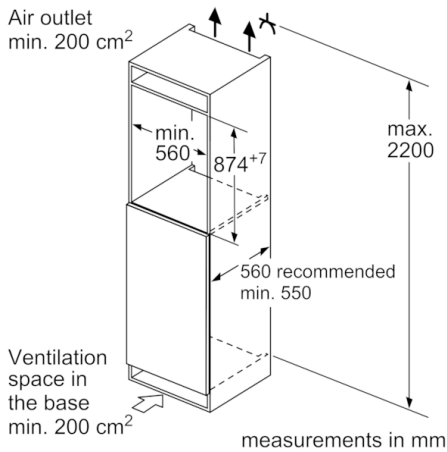
- Gross capacity, total: 98 l
- **** freezer (-18°C and below)
- Based on the results of the standard 24-hour test. Actual consumption depends on usage/position of the appliance.

Additional features

Serie | 6, Built-in freezer, 87.4 x 55.8 cm
GIV21AF30



measurements in mm



measurements in mm

measurements in mm
 Recommended gap dimensions for flat hinges

F	R	X
16-19	0-3	2.5
20	0-1	3
	2-3	2.5
21	0-1	3
	2-3	2.5
22	0	4
	1	3.5
	2-3	3

The gap dimensions recommended in the table must be adhered to in order to ensure that appliance doors do not collide with anything when they are opened, and to avoid causing damage to kitchen units.