

Chimney extension, 1000 mm DWZ0AX5K0



- **Stainless steel**
- **Extension 1000 mm (telescopic part) for wall chimney hood**
- **Max. 530 mm extension of the appliance possible**
- **Suitable for ducted and re-circulated extraction**
- **Extension with recirculation slots**

Technical Data

Dimensions of the packed product (HxWxD): ... 370 x 520 x 1190 mm
Pallet dimensions: 172.0 x 80.0 x 120.0
Standard number of units per pallet: 6
Net weight: 4.5 kg
Gross weight: 9.8 kg
EAN code: 4242002966519



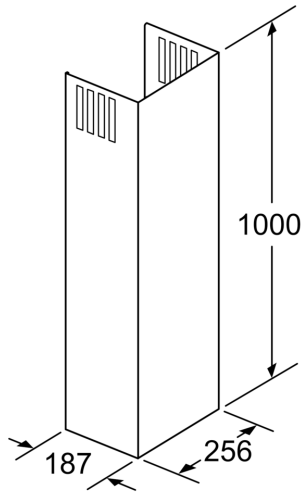
Chimney extension, 1000 mm DWZ0AX5K0

- Stainless steel

Optional accessories

- Extension 1000 mm (telescopic part) for wall chimney hood
- Max. 530 mm extension of the appliance possible
- Suitable for ducted and re-circulated extraction
- Extension with recirculation slots

Chimney extension, 1000 mm
DWZ0AX5K0



measurements in mm