

**Wall-mounted cooker hood, 90 cm,
Stainless steel
DWW09D650B**



D

Wall mounted chimney hoods add style and sophistication to the kitchen and give you complete freedom in your kitchen planning.

- An impressive extraction rate of 680 m³/h ensures this hood will have your kitchen odour free in no time.
- **Especially quiet:** high performance at just 40 dB.
- Halogen lighting provides energy efficient and bright lighting of the hob area.
- For fast and effective extraction, the intensive speed setting removes strong kitchen odours quickly and effectively.

Technical Data

Color chimney :	Stainless steel
Typology :	Chimney
Approval certificates :	CE, VDE
Length of electrical supply cord (cm) :	130
Height of the chimney (mm) :	582-864/582-974
Height of product, without chimney (mm) :	90
Minimum distance above an electric hob :	550
Minimum distance above a gas hob :	650
Net weight (kg) :	18.458
Type of control :	mechanical
Maximum output air extraction (m ³ /h) :	440
Boost position output recirculating (m ³ /h) :	440
Maximum output recirculating air (m ³ /h) :	330
Boost position air extraction (m ³ /h) :	680
Number of lights (Stck) :	2
Noise level (dB(A) re 1 pW) :	55
Diameter of air outlet (mm) :	120 / 150
Grease filter material :	Washable aluminium
EAN code :	4242002624839
Connection rating (W) :	260
Voltage (V) :	220-240
Frequency (Hz) :	50
Plug type :	GB plug
Installation type :	Wall-mounted

Optional accessories

- DHZ1223 : Chimney extension 1000 mm
- DHZ1233 : Chimney extension 1500 mm
- DHZ5345 : Standard recirculation kit
- DHZ5346 : Standard odor filter (replacement)
- DHZ9550 : Brushed steel back panel
- DHZ9551 : Brushed steel back panel
- DSZ5201 : CleanAir active carbon filter spare part
- DSZ6240 : CleanAir Recirculation Kit



Wall-mounted cooker hood, 90 cm, Stainless steel DWW09D650B

Wall mounted chimney hoods add style and sophistication to the kitchen and give you complete freedom in your kitchen planning.

Design

- 90 cm wide
- Designed for wall mounted installation
- Height adjustable chimney sections
- Brushed steel canopy and chimney section

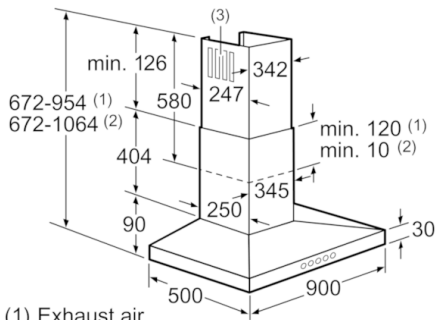
Features

- Push button control for extractor speeds and light
- 3 power levels & intensive setting
- 2 x
- 3 removable metal grease filter cassettes

Performance/technical information

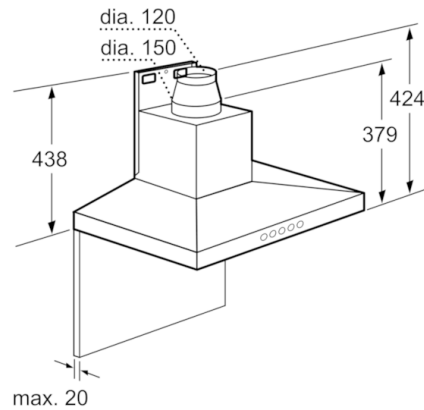
- Easy installation system
- Suitable for ducted or recirculating operation
- Extraction rate according to EN 61591 \varnothing 15 cm:
 - max. Normal use 450 m³/h
 - Intensive 680 m³/h
- Noise level according to EN 60704-3 and EN 60704-2-13 exhaust air:
 - Max. normal use: 54 dB(A) re 1 pW (40 dB(A) re 20 μ Pa sound pressure)
 - Intensive: 64 dB(A) re 1 pW (50 dB(A) re 20 μ Pa sound pressure)
- Extractor hose 120mm
- Recirculating kit DHZ5345
- Dimensions recirculating with CleanAir module (HxWxD):
 - 654 x 900 x 500 mm - mounting with outer chimney
 - 774-1104 x 900 x 500 mm - mounting with telescopic chimney

Wall-mounted cooker hood, 90 cm, Stainless steel DWW09D650B

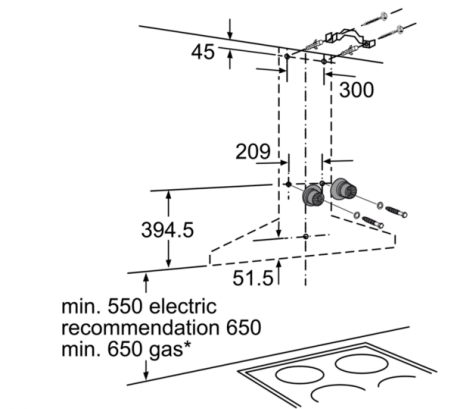


- (1) Exhaust air
- (2) Circulated air
- (3) Air outlet - Fit the exhaust air slot facing downwards

Measurements in mm

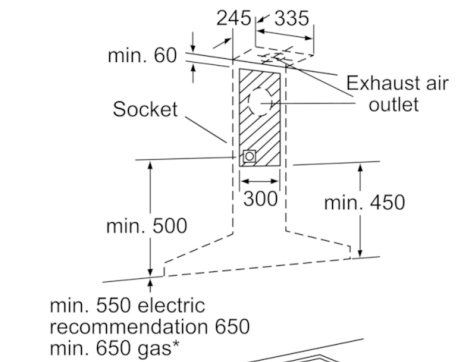


Measurements in mm



* from upper edge of pan support

Measurements in mm



* from upper edge of pan support

Measurements in mm