

**Wall-mounted cooker hood, 70 cm,
Stainless steel
DWW07D650B**



Wall mounted chimney hoods add style and sophistication to the kitchen and give you complete freedom in your kitchen planning.

- An impressive extraction rate of 650 m³/h ensures this hood will have your kitchen odour free in no time.
- Halogen lighting provides energy efficient and bright lighting of the hob area.
- For fast and effective extraction, the intensive speed setting removes strong kitchen odours quickly and effectively.

Technical Data

Color chimney :	Stainless steel
Typology :	Chimney
Approval certificates :	CE, VDE
Length of electrical supply cord (cm) :	130
Height of the chimney (mm) :	582-864/582-974
Height of product, without chimney (mm) :	90
Minimum distance above an electric hob :	550
Minimum distance above a gas hob :	650
Net weight (kg) :	13.090
Type of control :	mechanical
Maximum output air extraction (m ³ /h) :	420
Boost position output recirculating (m ³ /h) :	380
Maximum output recirculating air (m ³ /h) :	280
Boost position air extraction (m ³ /h) :	650
Number of lights (Stck) :	2
Noise level (dB(A) re 1 pW) :	59
Diameter of air outlet (mm) :	120 / 150
Grease filter material :	Washable aluminium
EAN code :	4242002624822
Connection rating (W) :	260
Voltage (V) :	220-240
Frequency (Hz) :	50
Plug type :	GB plug
Installation type :	Wall-mounted

Optional accessories

- DHZ1225 : Chimney extension 1000 mm
- DHZ1235 : Chimney extension 1500 mm
- DHZ5325 : Recirculating kit
- DHZ5326 : Active carbon filter
- DHZ7551 : Brushed steel back panel
- DSZ5201 : CleanAir active carbon filter spare part
- DSZ6200 : CleanAir Recirculation Kit



Wall-mounted cooker hood, 70 cm, Stainless steel DWW07D650B

Wall mounted chimney hoods add style and sophistication to the kitchen and give you complete freedom in your kitchen planning.

Design

- 70 cm wide
- Designed for wall mounted installation
- Height adjustable chimney sections
- Brushed steel canopy and chimney section

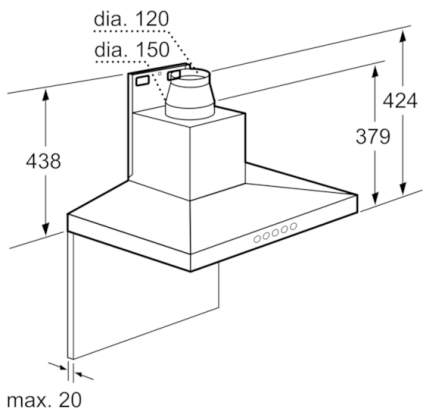
Features

- Push button control for extractor speeds and light
- 3 power levels & intensive setting
- 2 x
- 2 removable metal grease filter cassettes

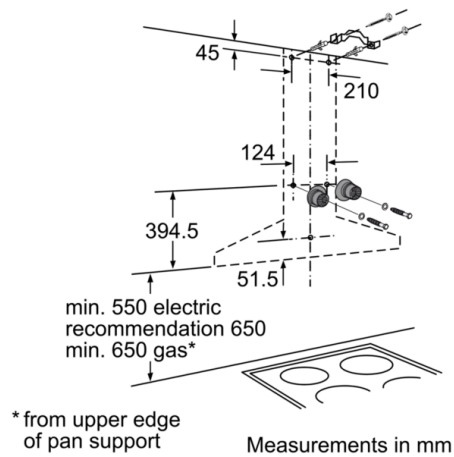
Performance/technical information

- Easy installation system
- Suitable for ducted or recirculating operation
- Extraction rate according to EN 61591 \varnothing 15 cm:
 - max. Normal use 430 m³/h
 - Intensive 650 m³/h
- Noise level according to EN 60704-3 and EN 60704-2-13 exhaust air:
 - Max. normal use: 57 dB(A) re 1 pW (43 dB(A) re 20 μ Pa sound pressure)
 - Intensive: 67 dB(A) re 1 pW (53 dB(A) re 20 μ Pa sound pressure)
- Extractor hose 120mm
- Recirculating kit DHZ5325
- Dimensions recirculating with CleanAir module (HxWxD):
 - 654 x 700 x 500 mm - mounting with outer chimney
 - 774-1104 x 700 x 500 mm - mounting with telescopic chimney

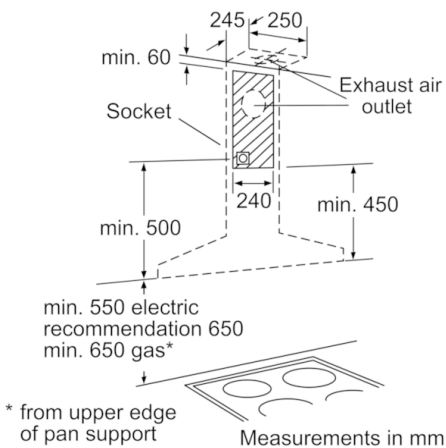
Wall-mounted cooker hood, 70 cm, Stainless steel DWW07D650B



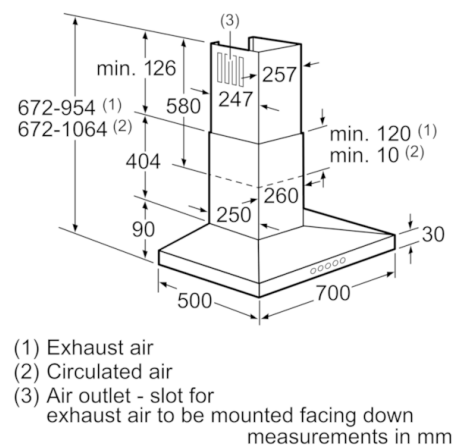
Measurements in mm



Measurements in mm



Measurements in mm



Measurements in mm