

**Wall-mounted cooker hood, 60 cm,
Stainless steel
DWW061350B**



Technical Data

Color chimney :	Stainless steel
Typology :	Chimney
Approval certificates :	CE, VDE
Length of electrical supply cord (cm) :	130
Height of the chimney (mm) :	553-730/553-730
Height of product, without chimney (mm) :	240
Minimum distance above an electric hob :	550
Minimum distance above a gas hob :	650
Net weight (kg) :	8.929
Type of control :	mechanical
Number of speed settings :	2
Maximum output recirculating air (m ³ /h) :	220
Number of lights (Stck) :	2
Diameter of air outlet (mm) :	120
Grease filter material :	Washable aluminium
EAN code :	4242002494739
Connection rating (W) :	190
Voltage (V) :	220-230
Frequency (Hz) :	50
Plug type :	GB plug
Installation type :	Wall-mounted

Optional accessories

- DHZ1224 : Chimney extension 500 mm
- DHZ1234 : Chimney extension 750 mm
- DHZ6550 : Brushed steel back panel
- DHZ6551 : Brushed steel back panel



Wall-mounted cooker hood, 60 cm, Stainless steel

DWW061350B

Design

- 60 cm wide
- Designed for wall mounted installation
- Height adjustable chimney sections
- Brushed steel canopy and chimney section

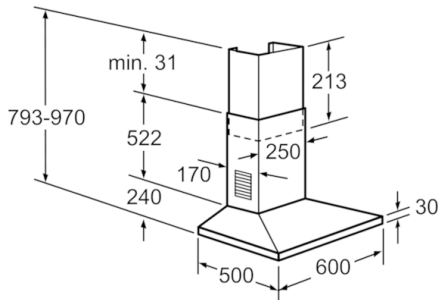
Features

- Slider switch control for extractor speeds and light
- 2 power levels
- 2 x bulbs
- 1 removable metal grease filter cassette

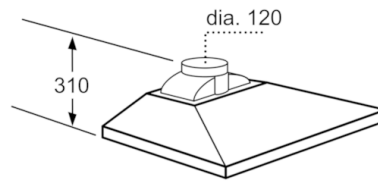
Performance/technical information

- Suitable for ducted or recirculating operation
- Maximum extraction rate 320 m³/h
- Extractor hose 120 mm
- Noise level according to EN 60704-3 and EN 60704-2-13 at maximum normal setting extraction rate: 66 dB(A) re 1 pW (42 dB(A) re 20 µPa sound pressure)
- Recirculating kit DHZ5145

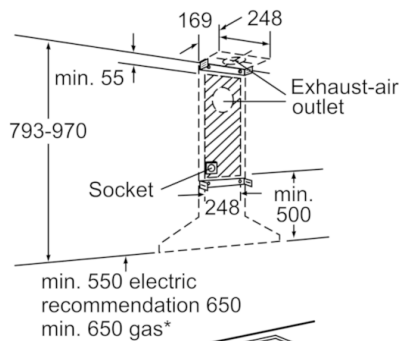
Wall-mounted cooker hood, 60 cm, Stainless steel
DWW061350B



Measurements in mm

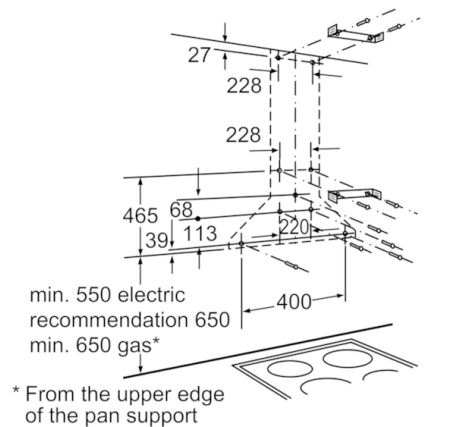


Measurements in mm



* From upper edge of pan support

Measurements in mm



* From the upper edge of the pan support

Measurements in mm