

**Serie | 4, Wall-mounted cooker hood,
60 cm, clear glass black printed
DWK67HM60B**



B

Angled hood: perfect for keeping an eye on your pots and pans.

- **TouchSelect control:** quick touch-control selection of desired settings and light.
- **Intensive speed setting:** removes strong kitchen odours quickly and effectively.

Technical Data

Typology :	Chimney
Approval certificates :	CE, G-Mark, VDE
Length of electrical supply cord (cm) :	130
Height of product, without chimney (mm) :	323
Minimum distance above an electric hob :	450
Minimum distance above a gas hob :	600
Net weight (kg) :	20.454
Type of control :	Electronic
Maximum output air extraction (m ³ /h) :	416
Boost position output recirculating (m ³ /h) :	557.0
Boost position air extraction (m ³ /h) :	700
Number of lights (Stck) :	2
Noise level (dB(A) re 1 pW) :	58
Diameter of air outlet (mm) :	120 / 150
Grease filter material :	Washable aluminium
EAN code :	4242002946702
Connection rating (W) :	263
Current (A) :	10
Voltage (V) :	220-240
Frequency (Hz) :	50; 60
Plug type :	GB plug
Installation type :	Wall-mounted

Optional accessories

- DWZ0AK0A0 : Standard odor filter (replacement)
- DWZ0AK0R0 : Long Life recirculation kit (chimless)
- DWZ0AK0S0 : Long Life recirculation kit
- DWZ0AK0T0 : Standard recirculation kit (chimless)
- DWZ0AK0U0 : Standard recirculation kit
- DWZ0AX5K0 : Chimney extension 1000 mm
- DWZ0AX5L0 : Chimney extension 1500 mm
- DZZ0XX0P0 : Long Life odor filter (replacement)



Serie | 4, Wall-mounted cooker hood, 60 cm, clear glass black printed DWK67HM60B

Angled hood: perfect for keeping an eye on your pots and pans.

Key performance features:

- Energy Efficiency Class: B (at a range of energy efficiency classes from A+++ to D)
- Extraction rate according to EN 61591 \varnothing 15 cm: max. Normal use 416 m³/h Intensive 700 m³/h
- Noise max. Normal Level: Noise, max. speed in normal us: 58 dB dB*

Features

- TouchControl with Electronic display
- Electronic display
- 3 power levels & intensive setting
- 2 x 1.5W LED light
- Colour Temperature: 3500 K
- Twin channel high performance fan motor
- Automatic intensive revert (6mins)
- 2 removable metal grease filter cassettes
- easy to clean Inner frame
- Designed for wall mounted installation
- Rim ventilation

Design

- Chimney extractor hood
- TouchControl
- Electronic control

Performance/technical information

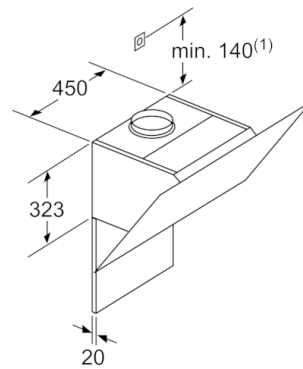
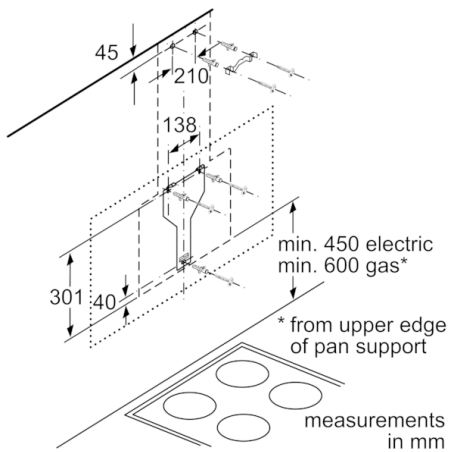
- Suitable for ducted or recirculating operation
- For recirculated extraction recirculating kit or CleanAir recirculating kit (accessory) needed
- Easy installation system
- Extraction rate according to EN 61591 max. 416 m³/h
- Noise level according to EN 60704-3 and EN 60704-2-13 at max. normal use exhaust air: 58 dB(A) re 1 pW
- Noise level according to EN 60704-3 and EN 60704-2-13 exhaust air: Max. normal use: 58 dB(A) re 1 pW Intensive: 67 dB(A) re 1 pW
- Noise level according to EN 60704-3 and EN 60704-2-13 at maximum normal setting: extraction rate: 58 dB (A) re 1pW
- Power rating: 263 W
- Light Intensity: 100 lux
- Electrical cable length 1.3 m
- Diameter pipe \varnothing 150 mm (\varnothing 120 mm enclosed)
- Dimensions exhaust air (HxWxD): 929-1199 x 590 x 499 mm
- Dimensions recirculating (HxWxD): 989-1259 x 590 x 499 mm
- Dimensions recirculating with CleanAir module (HxWxD): 1119 x 590 x 499 mm - mounting with outer chimney 1189-1459 x 590 x 499 mm - mounting with telescopic chimney
- Blower Efficiency Class: B*
- Lighting Efficiency Class: B*
- Grease Filtering Efficiency Class: C*
- Average Energy Consumption: 56.6 kWh/year*

Optional accessories

- Recirculating kit DWZ0AK0A0

* In accordance with the EU-Regulation No 65/2014

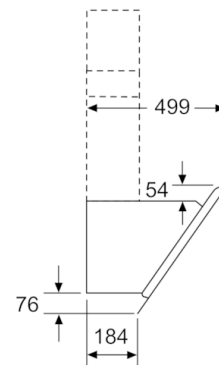
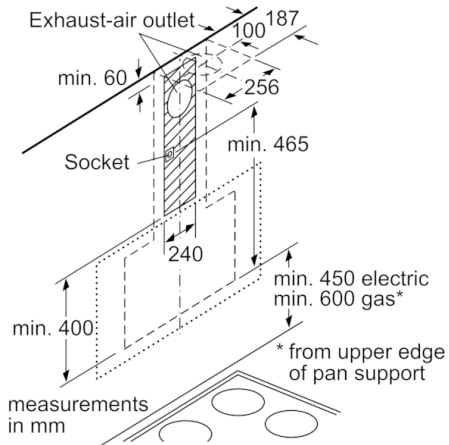
**Serie | 4, Wall-mounted cooker hood, 60 cm,
clear glass black printed
DWK67HM60B**



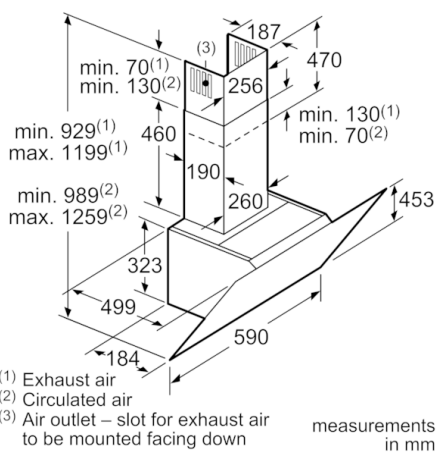
⁽¹⁾Position
of socket

Note the maximum
thickness of the back panel.

measurements in mm

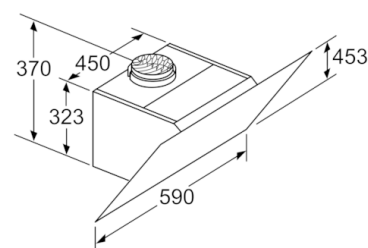


measurements in mm



- (1) Exhaust air
- (2) Circulated air
- (3) Air outlet – slot for exhaust air
to be mounted facing down

measurements
in mm



Appliance in circulated air mode
without duct
Circulated air set required

measurements in mm