

**Serie | 4, Wall-mounted cooker hood,
60 cm, clear glass black printed
DWK67CM60B**



B



Angled hood: perfect for keeping an eye on your pots and pans.

- **Especially silent:** maximum extractor performance with minimal noise
- **Easy-to-clean interior:** hidden screws and cables along with rounded edges make cleaning easy.
- **TouchSelect control:** quick touch-control selection of desired settings and light.
- **LED illumination:** The energy-saving lighting provides bright and clear lighting for the hob area.
- **Intensive speed setting:** removes strong kitchen odours quickly and effectively.

Technical Data

Typology :	Chimney
Approval certificates :	CE, VDE
Length of electrical supply cord (cm) :	130
Height of product, without chimney (mm) :	323
Minimum distance above an electric hob :	450
Minimum distance above a gas hob :	650
Net weight (kg) :	20.400
Type of control :	Electronic
Maximum output air extraction (m ³ /h) :	416
Boost position output recirculating (m ³ /h) :	615.0
Maximum output recirculating air (m ³ /h) :	409
Boost position air extraction (m ³ /h) :	700
Number of lights (Stck) :	2
Noise level (dB(A) re 1 pW) :	58
Diameter of air outlet (mm) :	120 / 150
Grease filter material :	Washable aluminium
EAN code :	4242005172740
Connection rating (W) :	263
Current (A) :	10
Voltage (V) :	220-240
Frequency (Hz) :	50; 60
Plug type :	GB plug
Installation type :	Wall-mounted

Optional accessories

- DWZ0AK0R0 : Long Life recirculation kit (chimless)
- DWZ0AK0S0 : Long Life recirculation kit
- DWZ0AX5K0 : Chimney extension 1000 mm
- DWZ0AX5L0 : Chimney extension 1500 mm
- DWZ1AK1I6 : Clean Air Plus recirculation kit
- DWZ1AK1V6 : Clean Air Plus recirc. kit (chimless)
- DWZ1AX5C6 : Clean Air Plus recirc. kit external
- DWZ1AX6E1 : Chimney standard black
- DZZ0XX0P0 : Long Life odor filter (replacement)
- DZZ1XX1B6 : Clean Air Plus odor filter (replacement)



Serie | 4, Wall-mounted cooker hood, 60 cm, clear glass black printed DWK67CM60B

Angled hood: perfect for keeping an eye on your pots and pans.

Key performance features:

- Energy Efficiency Class: B (at a range of energy efficiency classes from A+++ to D)
- Extraction rate according to EN 61591 ø 15 cm:
max. Normal use 416 m³/h
Intensive 700 m³/h
- Noise max. Normal Level: Noise, max. speed in normal us: 58 dB dB*

Special features

- TouchControl with Electronic display
- 3 power levels & intensive setting
- 2 x 1.5W LED light
- Colour Temperature: 3500 K
- Automatic intensive revert (6mins)
- 2 removable metal grease filter cassettes
- easy to clean Inner frame
- Designed for wall mounted installation
- Rim ventilation

Design

- Chimney extractor hood
- TouchControl
- Electronic control

Performance/technical information

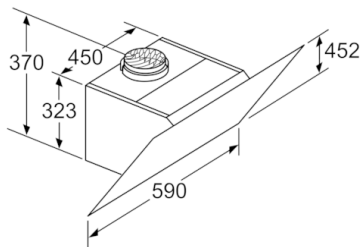
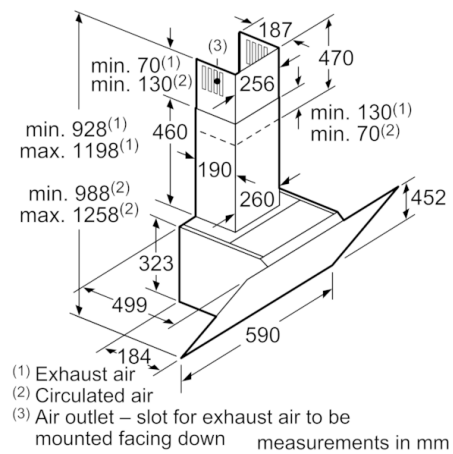
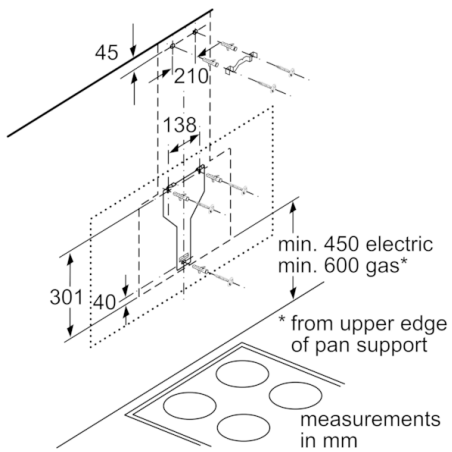
- Suitable for ducted or recirculating operation
- For recirculated extraction recirculating kit or CleanAir recirculating kit (accessory) needed
- In recirculation operation chimless use possible
- Easy installation system
- Extraction rate according to EN 61591 max. 700 m³/h
- Noise level according to EN 60704-3 and EN 60704-2-13 at max. normal use exhaust air: 58 dB(A) re 1 pW
- Noise level according to EN 60704-3 and EN 60704-2-13 exhaust air:
Max. normal use: 58 dB(A) re 1 pW
Intensive: 67 dB(A) re 1 pW
- Noise level according to EN 60704-3 and EN 60704-2-13 at maximum normal setting: extraction rate: 58 dB (A) re 1pW
- Power rating: 263 W
- Light Intensity: 100 lux
- Electrical cable length 1.3 m
- Diameter pipe ø 150 mm (ø 120 mm enclosed)
- Dimensions exhaust air (HxWxD): 928-1198 x 590 x 499 mm
- Dimensions recirculating (HxWxD): 988-1258 x 590 x 499 mm
- Dimensions recirculating with CleanAir module (HxWxD):
1118 x 590 x 499 mm - mounting with outer chimney
1188-1458 x 590 x 499 mm - mounting with telescopic chimney
- Blower Efficiency Class: B*
- Lighting Efficiency Class: B*
- Grease Filtering Efficiency Class: C*
- Average Energy Consumption: 56.6 kWh/year*

Optional accessories

- Recirculating kit DWZOAKOR0

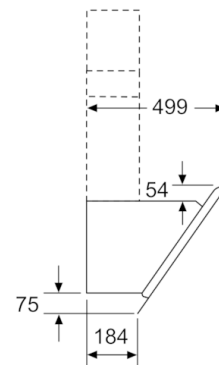
* In accordance with the EU-Regulation No 65/2014

**Serie | 4, Wall-mounted cooker hood, 60 cm,
clear glass black printed
DWK67CM60B**

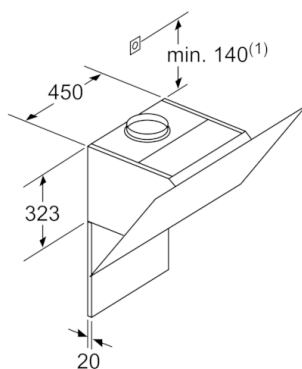


Appliance in circulated air mode
without duct
Circulated air set required

measurements in mm



measurements in mm



Note the maximum
thickness of the back panel.

measurements in mm

