

**Serie | 4, Wall-mounted cooker hood,  
60 cm, clear glass black printed  
DWK67BM60B**



**B**

**Angled hood: perfect for keeping an eye on your pots and pans.**

- **Especially silent:** maximum extractor performance with minimal noise
- **Easy-to-clean interior:** hidden screws and cables along with rounded edges make cleaning easy.
- **TouchSelect control:** quick touch-control selection of desired settings and light.
- **LED illumination:** The energy-saving lighting provides bright and clear lighting for the hob area.
- **Intensive speed setting:** removes strong kitchen odours quickly and effectively.



**Technical Data**

|   |                    |
|---|--------------------|
| Typology :  | Chimney            |
| Approval certificates :                                   | CE, VDE            |
| Length of electrical supply cord (cm) :                   | 130                |
| Height of product, without chimney (mm) :                 | 323                |
| Minimum distance above an electric hob :                  | 450                |
| Minimum distance above a gas hob :                        | 600                |
| Net weight (kg) :   | 18.603             |
| Type of control :   | Electronic         |
| Maximum output air extraction (m <sup>3</sup> /h) :       | 409                |
| Boost position output recirculating (m <sup>3</sup> /h) : | 565.0              |
| Maximum output recirculating air (m <sup>3</sup> /h) :    | 386                |
| Boost position air extraction (m <sup>3</sup> /h) :       | 676                |
| Number of lights (Stck) :                                 | 2                  |
| Noise level (dB(A) re 1 pW) :                             | 57                 |
| Diameter of air outlet (mm) :                             | 150 / 120          |
| Grease filter material :                                  | Washable aluminium |
| EAN code :  | 4242005073917      |
| Connection rating (W) :                                   | 263                |
| Current (A) :   | 10                 |
| Voltage (V) :   | 220-240            |
| Frequency (Hz) :  | 50; 60             |
| Plug type :   | GB plug            |
| Installation type :                                       | Wall-mounted       |

**Optional accessories**

- DWZ0AK0R0 : Long Life recirculation kit (chimless)
- DWZ0AK0S0 : Long Life recirculation kit
- DWZ0AX5K0 : Chimney extension 1000 mm
- DWZ0AX5L0 : Chimney extension 1500 mm
- DWZ1AK1I6 : Clean Air Plus recirculation kit
- DWZ1AK1V6 : Clean Air Plus recirc. kit (chimless)
- DWZ1AX5C6 : Clean Air Plus recirc. kit external
- DWZ1AX6E1 : Chimney standard black
- DZZ0XX0P0 : Long Life odor filter (replacement)
- DZZ1XX1B6 : Clean Air Plus odor filter (replacement)



## Serie | 4, Wall-mounted cooker hood, 60 cm, clear glass black printed DWK67BM60B

**Angled hood: perfect for keeping an eye on your pots and pans.**

### Key performance features:

- Energy Efficiency Class: B (at a range of energy efficiency classes from A+++ to D)
- Extraction rate according to EN 61591 ø 15 cm:  
max. Normal use 408 m<sup>3</sup>/h  
Intensive 676 m<sup>3</sup>/h
- Noise max. Normal Level: Noise, max. speed in normal us: 57 dB dB\*

### Features

- TouchControl with Electronic display
- Electronic display
- 3 power levels & intensive setting
- 2 x 1.5W LED light
- Colour Temperature: 3500 K
- Automatic intensive revert (6mins)
- 2 removable metal grease filter cassettes
- easy to clean Inner frame
- Designed for wall mounted installation
- Rim ventilation

### Design

- Chimney extractor hood
- TouchControl
- Electronic control

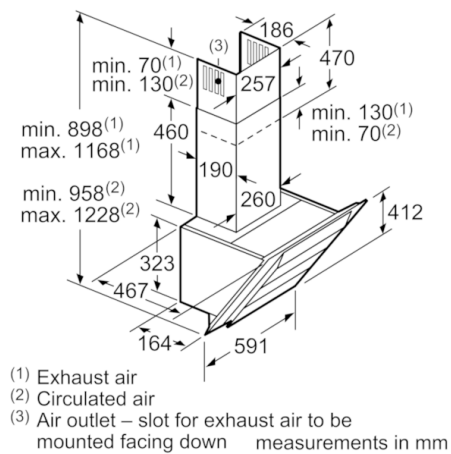
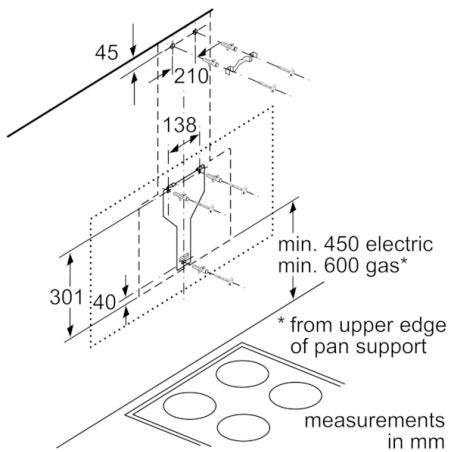
### Performance/technical information

- Suitable for ducted or recirculating operation
- For recirculated extraction recirculating kit or CleanAir recirculating kit (accessory) needed
- Easy installation system
- Extraction rate according to EN 61591 max. 676 m<sup>3</sup>/h
- Noise level according to EN 60704-3 and EN 60704-2-13 at max. normal use exhaust air: 57 dB(A) re 1 pW
- Noise level according to EN 60704-3 and EN 60704-2-13 exhaust air:  
Max. normal use: 57 dB(A) re 1 pW  
Intensive: 67 dB(A) re 1 pW
- Noise level according to EN 60704-3 and EN 60704-2-13 at maximum normal setting: extraction rate: 57 dB (A) re 1pW
- Power rating: 263 W
- Electrical cable length 1.3 m
- Diameter pipe ø 150 mm (ø 120 mm enclosed)
- Dimensions exhaust air (HxWxD): 898-1168 x 590 x 467 mm
- Dimensions recirculating (HxWxD): 958-1228 x 590 x 467 mm
- Dimensions recirculating with CleanAir module (HxWxD):  
1088 x 590 x 467 mm - mounting with outer chimney  
1158-1428 x 590 x 467 mm - mounting with telescopic chimney
- Blower Efficiency Class: B\*
- Lighting Efficiency Class: B\*
- Grease Filtering Efficiency Class: D\*
- Average Energy Consumption: 56.4 kWh/year\*

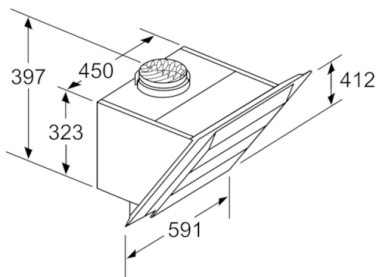
### Optional accessories

- Recirculating kit DWZOAKOR0
- \* In accordance with the EU-Regulation No 65/2014

**Serie | 4, Wall-mounted cooker hood, 60 cm, clear glass black printed DWK67BM60B**

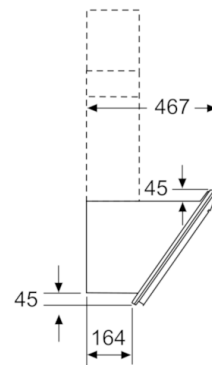


- (1) Exhaust air
- (2) Circulated air
- (3) Air outlet – slot for exhaust air to be mounted facing down

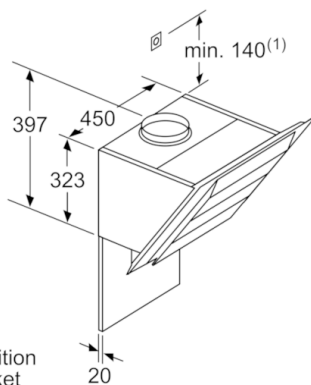


Appliance in circulated air mode  
without duct  
Circulated air set required

measurements in mm



measurements in mm



(1) Position of socket

Note the maximum thickness of the back panel.  
measurements in mm

