

**Wall-mounted cooker hood, 90 cm,
clear glass white printed
DWK09E820B**



Optional accessories

DHZ1225 : Chimney extension 1000 mm
 DHZ1235 : Chimney extension 1500 mm
 DHZ5325 : Recirculating kit
 DHZ5326 : Active carbon filter
 DSZ5201 : CleanAir active carbon filter spare part
 DSZ6200 : CleanAir Recirculation Kit



Wall mounted chimney hoods add style and sophistication to the kitchen and give you complete freedom in your kitchen planning.

- An impressive extraction rate of 700 m³/h ensures this hood will have your kitchen odour free in no time.
- Halogen lighting provides energy efficient and bright lighting of the hob area.
- Intensive speed setting with revert gives a quick intensive 10 min burst to clear strong odours and then reverts back to the normal setting.

Technical Data

Color chimney :	Stainless steel
Typology :	Chimney
Approval certificates :	CE, VDE
Length of electrical supply cord (cm) :	130
Height of the chimney (mm) :	582-920/582-1030
Height of product, without chimney (mm) :	387
Minimum distance above an electric hob :	400
Minimum distance above a gas hob :	500
Net weight (kg) :	27.334
Type of control :	Electronic
Maximum output air extraction (m ³ /h) :	500
Boost position output recirculating (m ³ /h) :	380
Maximum output recirculating air (m ³ /h) :	330
Boost position air extraction (m ³ /h) :	700
Number of lights (Stck) :	2
Noise level (dB(A) re 1 pW) :	61
Diameter of air outlet (mm) :	120 / 150
Grease filter material :	Washable stainless steel
EAN code :	4242002628110
Connection rating (W) :	300
Voltage (V) :	220-240
Frequency (Hz) :	50
Plug type :	GB plug
Installation type :	Wall-mounted



Wall-mounted cooker hood, 90 cm, clear glass white printed DWK09E820B

Wall mounted chimney hoods add style and sophistication to the kitchen and give you complete freedom in your kitchen planning.

Key Information

- Electronic control
- Electronic power level display

Design

- 90 cm wide
- Designed for wall mounted installation
- Height adjustable chimney sections
- White

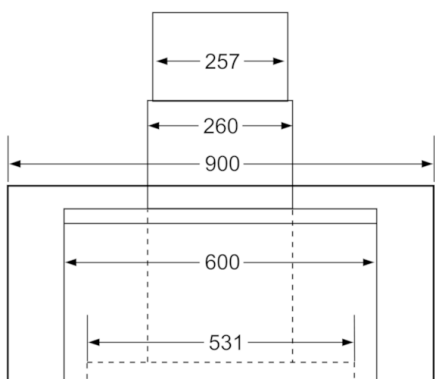
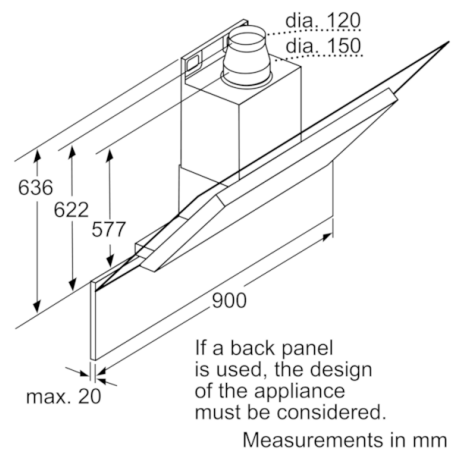
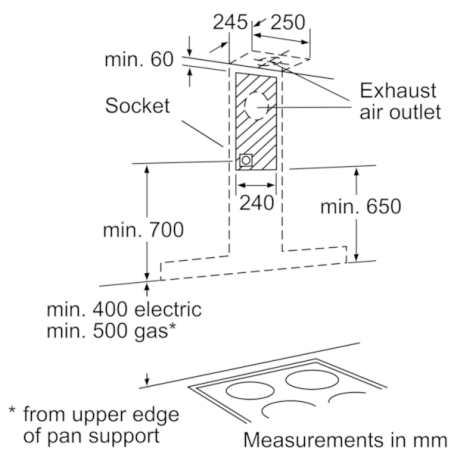
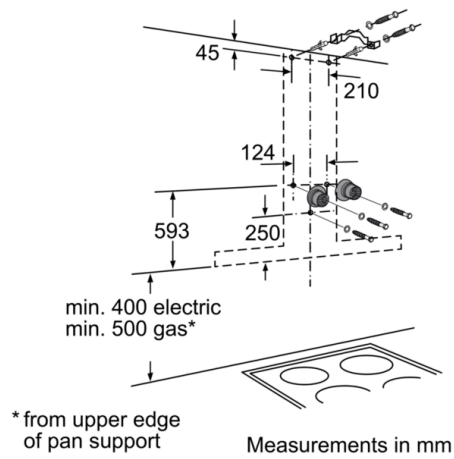
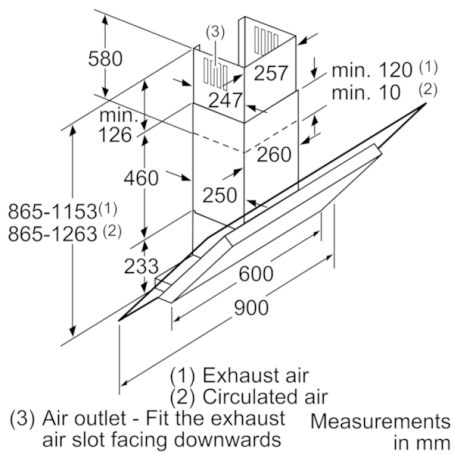
Features

- Soft touch button control for extractor speeds and light
- 3 power levels & intensive setting
- Automatic intensive revert
- 2 x 20W low energy halogen lights
- 2 removable metal grease filter cassettes

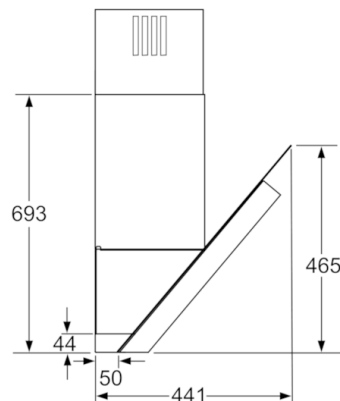
Performance/technical information

- Easy installation system
- Suitable for ducted or recirculating operation
- Extraction rate according to EN 61591 \varnothing 15 cm:
max. Normal use 510 m³/h
Intensive 700 m³/h
- Noise level according to EN 60704-3 and EN 60704-2-13
exhaust air:
Max. normal use: 62 dB(A) re 1 pW (48 dB(A) re 20 μ Pa sound pressure)
Intensive: 68 dB(A) re 1 pW (54 dB(A) re 20 μ Pa sound pressure)
- Intensive: 68 dB (A) re 1 pW (54 dB (A) re 20 μ Pa sound pressure)
- Extractor hose 120mm
- Recirculating kit DHZ5325
- Dimensions recirculating with CleanAir module (HxWxD):
853 x 900 x 441 mm - mounting with outer chimney
973-1303 x 900 x 441 mm - mounting with telescopic chimney

Wall-mounted cooker hood, 90 cm, clear glass white printed
DWK09E820B



Measurements in mm



Measurements in mm