

**Serie | 4, Wall-mounted cooker hood,
60 cm, clear glass
DWG66DM50B**



**Hood with glass design: performance
combined with straight glass design
matching your kitchen.**

- **Silent:** maximum extractor performance with minimal noise.
- **Grease filtration level:** filters out over 85% of the grease from kitchen air.
- **TouchSelect control:** quick touch-control selection of desired settings and light.
- **LED illumination:** The energy-saving lighting provides bright and clear lighting for the hob area.
- **Intensive speed setting:** removes strong kitchen odours quickly and effectively.

Technical Data

Typology :	Chimney
Approval certificates :	CE, VDE
Length of electrical supply cord (cm) :	130
Height of the chimney (mm) :	576-906/576-998
Height of product, without chimney (mm) :	59
Minimum distance above an electric hob :	550
Minimum distance above a gas hob :	650
Net weight (kg) :	13.632
Type of control :	Electronic
Maximum output air extraction (m ³ /h) :	384
Boost position output recirculating (m ³ /h) :	358.0
Maximum output recirculating air (m ³ /h) :	289
Boost position air extraction (m ³ /h) :	626
Number of lights (Stck) :	2
Noise level (dB(A) re 1 pW) :	62
Diameter of air outlet (mm) :	120 / 150
Grease filter material :	Washable aluminium
EAN code :	4242005051168
Connection rating (W) :	220
Current (A) :	10
Voltage (V) :	220-240
Frequency (Hz) :	50; 60
Plug type :	GB plug
Installation type :	Wall-mounted

Optional accessories

- DHZ1225 : Chimney extension 1000 mm
- DHZ1235 : Chimney extension 1500 mm
- DHZ6550 : Brushed steel back panel
- DHZ6551 : Brushed steel back panel
- DWZ0DX0A0 : Standard odor filter (replacement)
- DWZ0DX0U0 : Standard recirculation kit
- DWZ0XX0J0 : Long Life recirculation kit
- DWZ1DX1I6 : Clean Air Plus recirculation kit
- DWZ1FX5C6 : Clean Air Plus recirc. kit external
- DZZ0XX0P0 : Long Life odor filter (replacement)
- DZZ1XX1B6 : Clean Air Plus odor filter (replacement)



Serie | 4, Wall-mounted cooker hood, 60 cm, clear glass DWG66DM50B

Hood with glass design: performance combined with straight glass design matching your kitchen.

Key performance features:

- Energy Efficiency Class: B (at a range of energy efficiency classes from A+++ to D)
- Maximum extraction rate exhaust air 384 m³/h according to EN 61591
- Extraction rate according to EN 61591 ø 15 cm:
max. Normal use 384 m³/h
Intensive 626 m³/h
- Noise max. Normal Level: Noise, max. speed in normal us: 62 dB dB*

Features

- TouchControl with Electronic display
- Electronic display
- 3 power levels & intensive setting
- 2 x 1.5W LED light
- Colour Temperature: 3500 K
- Automatic intensive revert (6mins)
- 1 removable metal grease filter cassette
- Designed for wall mounted installation

Design

- Chimney extractor hood
- TouchControl
- Electronic control

Performance/technical information

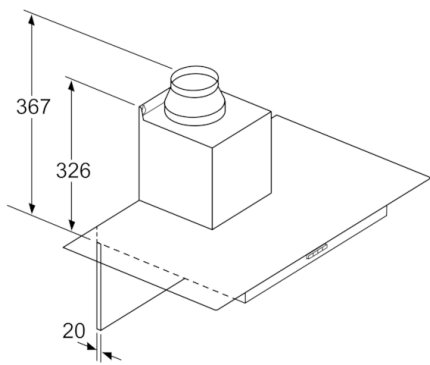
- Suitable for ducted or recirculating operation
- For recirculated extraction recirculating kit or CleanAir recirculating kit (accessory) needed
- Max. extraction rate: 626 m³/h
- Extraction rate in recirculation mode:
Max. normal use: 289 m³/h
Intensive: 358 m³/h
- Noise level according to EN 60704-3 and EN 60704-2-13 exhaust air:
Max. normal use: 62 dB(A) re 1 pW
Intensive: 70 dB(A) re 1 pW
- Noise levels in recirculation mode:
Max. normal use: 71 dB(A) re 1 pW
Intensive: 75 dB(A) re 1 pW
- Power rating: 220 W
- Light Intensity: 281 lux
- Electrical cable length 1.3 m
- Diameter pipe ø 150 mm (ø 120 mm enclosed)
- Dimensions exhaust air (HxWxD): 635-965 x 600 x 525 mm
- Dimensions recirculating (HxWxD): 635-1075 x 600 x 525 mm
- Dimensions recirculating with CleanAir module (HxWxD):
703 x 600 x 525 mm - mounting with outer chimney
833-1163 x 600 x 525 mm - mounting with telescopic chimney
- Blower Efficiency Class: A*
- Lighting Efficiency Class: A*
- Grease Filtering Efficiency Class: B*
- Average Energy Consumption: 47.4 kWh/year*

Optional accessories

- Recirculating kit DHZ1225

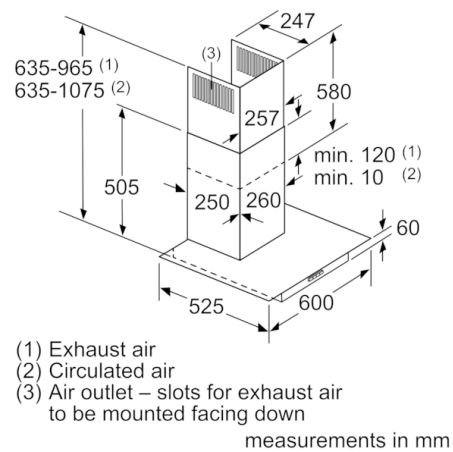
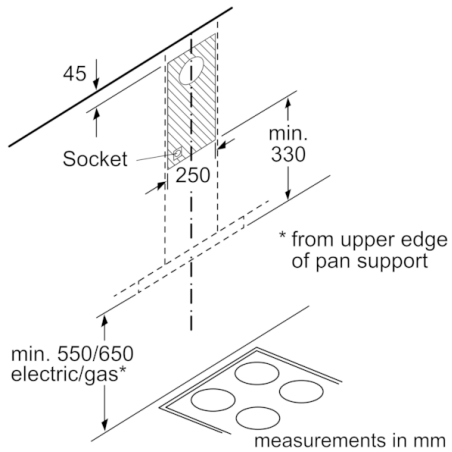
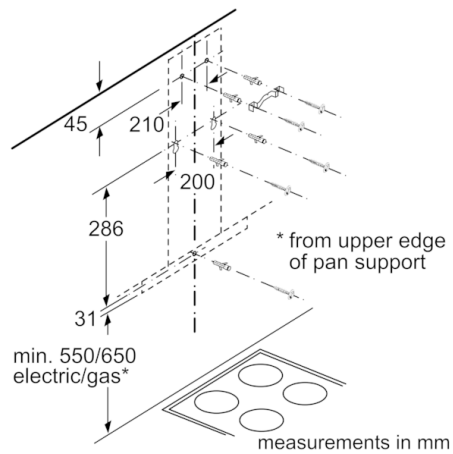
* In accordance with the EU-Regulation No 65/2014

**Serie | 4, Wall-mounted cooker hood, 60 cm,
clear glass
DWG66DM50B**



If a back panel is used,
the design of the appliance
must be considered.

measurements in mm



- (1) Exhaust air
- (2) Circulated air
- (3) Air outlet – slots for exhaust air to be mounted facing down