

**Serie | 6, Wall-mounted cooker hood,
60 cm, Stainless steel
DWB68JQ50B**



A

Wall mounted chimney hoods add style and sophistication to the kitchen and give you complete freedom in your kitchen planning.

- **PerfectAir sensor:** automatic extractor control for high performance with low noise.
- **Especially silent:** maximum hood performance, minimum noise.
- **Easy-to-clean interior:** hidden screws and cables along with rounded edges make cleaning easy.
- **Grease filtration level:** filters out over 85% of the grease from kitchen air.
- **EcoSilence Drive™:** the powerful, energy-saving drive for hoods.

Technical Data

Typology : Wall-mounted
 Approval certificates : CE, E17D UKCA marking, VDE
 Length of electrical supply cord : 130 cm
 Height of the chimney : 582-908/568-1018 mm
 Height of product, without chimney : 46 mm
 Minimum distance above an electric hob : 550 mm
 Minimum distance above a gas hob : 650 mm
 Net weight : 16.9 kg
 Type of control : Electronic
 Number of speed settings : 3-stage + 2 intensive
 Maximum output air extraction : 409 m³/h
 Boost position output recirculating : 428 m³/h
 Maximum output recirculating air : 334 m³/h
 Boost position air extraction : 733 m³/h
 Number of lights (Stck) : 2
 Noise level : 60 dB(A) re 1 pW
 Diameter of air outlet : 120 / 150 mm
 Grease filter material : Washable stainless steel
 EAN code : 4242005099320
 Connection rating : 163 W
 Fuse protection : 10 A
 Voltage : 220-240 V
 Frequency : 50; 60 Hz
 Plug type : GB plug
 Installation type : Wall-mounted



Optional accessories

DHZ1225 : Chimney extension 1000 mm
 DHZ1235 : Chimney extension 1500 mm
 DHZ5325 : Standard recirculation kit
 DWZ1CX1I6 : Clean Air Plus recirculation kit
 DWZ1FX5C6 : Clean Air Plus recirc. kit external
 DZZ1XX1B6 : Clean Air Plus odor filter (replacement)



Serie | 6, Wall-mounted cooker hood, 60 cm, Stainless steel DWB68JQ50B

Wall mounted chimney hoods add style and sophistication to the kitchen and give you complete freedom in your kitchen planning.

Key performance features:

- Energy Efficiency Class: A (at a range of energy efficiency classes from A+++ to D)
- Extraction rate according to EN 61591 ø 15 cm:
max. Normal use: 409 m³/h
Intensive: 733 m³/h
- Noise max. Normal Level: Noise, max. speed in normal use: 60 dB dB*

Special features

- PerfectAir sensor
- TouchControl with lightline
- 3 power levels and 2 intensive settings
- 2 x 1.5W LED light
- Colour Temperature: 3500 K
- Dimmer function
- Efficient BLDC-technology
- Automatic after running (Automatic after running (10 min))
- Automatic intensive revert (6mins)
- 2 removable metal grease filter cassettes
- Saturation indicator for metal and charcoal filter
- No
- easy to clean Inner frame

Design

- Chimney extractor hood
- Installation: wall
- Installation system: Chimney hood wall fixing syst.
- TouchControl
- Electronic control

Performance/technical information

- Suitable for ducted or recirculating operation
- For recirculated extraction recirculating kit or CleanAir recirculating kit (accessory) needed
- Extraction rate according to EN 61591 max. 733 m³/h
- Noise level according to EN 60704-3 and EN 60704-2-13 at max. normal use exhaust air: 60 dB(A) re 1 pW
- Noise level according to EN 60704-3 and EN 60704-2-13 exhaust air:
Max. normal use: 60 dB(A) re 1 pW
Intensive: 73 dB(A) re 1 pW
- Noise level according to EN 60704-3 and EN 60704-2-13 at maximum normal setting: extraction rate: 60 dB (A) re 1 pW
- With the Clean Air Plus recirculation kit (available as optional accessory) your appliances reaches:
Extraction rate in recirculation mode: Max. normal use: 334 m³/h
Intensive: 428 m³/h
Noise level in recirculation mode: Max. normal use: 67 dB(A) re 1 pW
Intensive: 73 dB(A) re 1 pW
- Power rating: 163 W
- Light Intensity: 267 lux
- Electrical cable length 1.3 m
- Diameter pipe ø 150 mm (ø 120 mm enclosed)
- Dimensions exhaust air (HxWxD): 614-954 x 598 x 500 mm
- Dimensions recirculating (HxWxD): 614-1064 x 598 x 500 mm
- Dimensions recirculating with CleanAir module (HxWxD): 795-1139 x 598 x 500 mm
- Blower Efficiency Class: A*
- Lighting Efficiency Class: A*
- Grease Filtering Efficiency Class: B*
- Average Energy Consumption: 34.3 kWh/year*

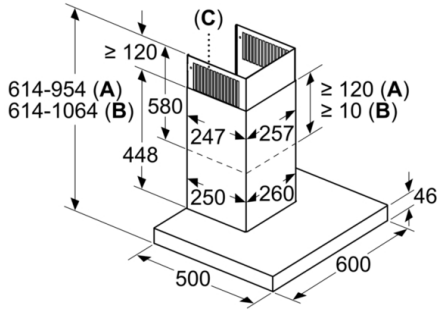
Optional accessories

- Recirculating kit DHZ1225

* In accordance with the EU-Regulation No 65/2014

**Serie | 6, Wall-mounted cooker hood, 60 cm,
Stainless steel
DWB68JQ50B**

measurements in mm



- A: Air extraction
- B: Air recirculation
- C: Air outlet – slots for exhaust air to be mounted facing down

