

**Wall-mounted cooker hood, 60 cm,
Stainless steel
DWB06E752B**



Optional accessories

DHZ1225 : Chimney extension 1000 mm
 DHZ1235 : Chimney extension 1500 mm
 DHZ5325 : Recirculating kit
 DHZ5326 : Active carbon filter
 DHZ6550 : Brushed steel back panel
 DHZ6551 : Brushed steel back panel
 DSZ5201 : CleanAir active carbon filter spare part
 DSZ6200 : CleanAir Recirculation Kit



Wall mounted chimney hoods add style and sophistication to the kitchen and give you complete freedom in your kitchen planning.

- An impressive extraction rate of 690 m³/h ensures this hood will have your kitchen odour free in no time.
- Halogen lighting provides energy efficient and bright lighting of the hob area.
- Intensive speed setting with revert gives a quick intensive 10 min burst to clear strong odours and then reverts back to the normal setting.

Technical Data

Color chimney :	Stainless steel
Typology :	Chimney
Approval certificates :	CE, VDE
Length of electrical supply cord (cm) :	130
Height of the chimney (mm) :	582-908/582-1018
Height of product, without chimney (mm) :	46
Minimum distance above an electric hob :	550
Minimum distance above a gas hob :	650
Net weight (kg) :	15.774
Type of control :	Electronic
Maximum output air extraction (m ³ /h) :	410
Boost position output recirculating (m ³ /h) :	360
Maximum output recirculating air (m ³ /h) :	280
Boost position air extraction (m ³ /h) :	690
Number of lights (Stck) :	2
Noise level (dB(A) re 1 pW) :	58
Diameter of air outlet (mm) :	120 / 150
Grease filter material :	Washable stainless steel
EAN code :	4242002625041
Connection rating (W) :	260
Voltage (V) :	220-240
Frequency (Hz) :	50
Plug type :	GB plug
Installation type :	Wall-mounted



Wall-mounted cooker hood, 60 cm, Stainless steel DWB06E752B

Wall mounted chimney hoods add style and sophistication to the kitchen and give you complete freedom in your kitchen planning.

Key Information

- Electronic control
- Electronic power level display

Design

- 60 cm wide
- Designed for wall mounted installation
- Height adjustable chimney sections
- Brushed steel canopy and chimney section

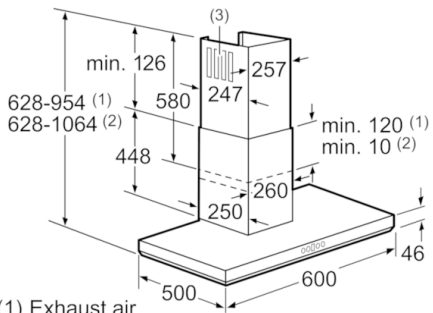
Features

- Soft touch button control for extractor speeds and light
- 3 power levels & intensive setting
- Automatic intensive revert
- 2 x 20W low energy halogen lights
-
- 2 removable metal grease filter cassettes

Performance/technical information

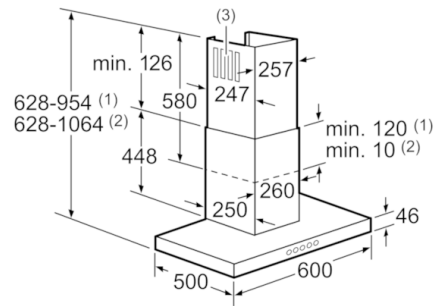
- Easy installation system
- Suitable for ducted or recirculating operation
- Extraction rate according to EN 61591 \varnothing 15 cm:
max. Normal use 420 m³/h
Intensive 690 m³/h
- Noise level according to EN 60704-3 and EN 60704-2-13
exhaust air:
Max. normal use: 56 dB(A) re 1 pW (42 dB(A) re 20 μ Pa sound pressure)
Intensive: 69 dB(A) re 1 pW (55 dB(A) re 20 μ Pa sound pressure)
- Extractor hose 120mm
- Recirculating kit DHZ5325
- Dimensions recirculating with CleanAir module (HxWxD):
654 x 600 x 500 mm - mounting with outer chimney
774-1104 x 600 x 500 mm - mounting with telescopic chimney

Wall-mounted cooker hood, 60 cm, Stainless steel DWB06E752B



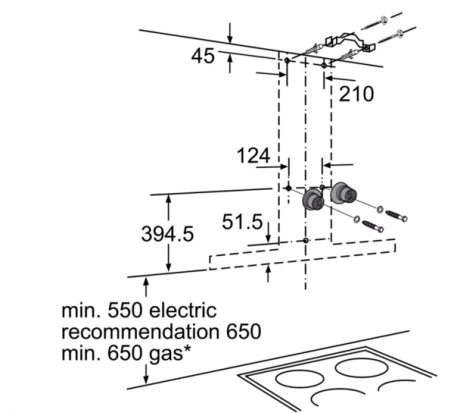
- (1) Exhaust air
- (2) Circulated air
- (3) Air outlet - Fit the exhaust air slot facing downwards

Measurements in mm



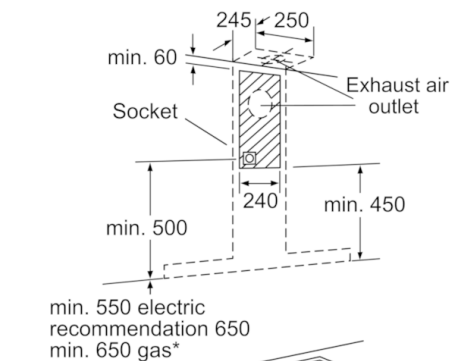
- (1) Exhaust air
- (2) Circulated air
- (3) Air outlet - install with vent at bottom for exhaust air

Measurements in mm



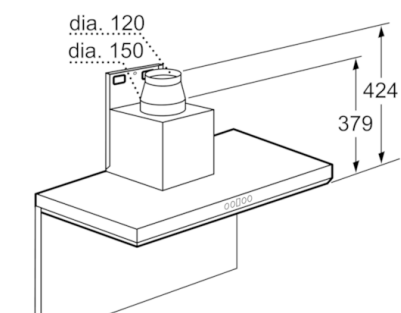
* from upper edge of pan support

Measurements in mm



* from upper edge of pan support

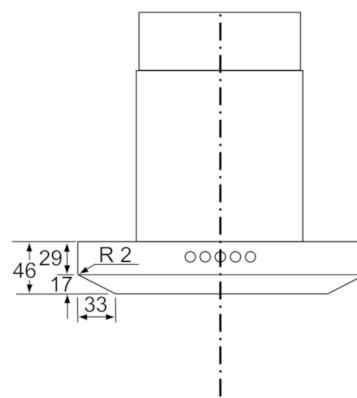
Measurements in mm



max. 20

If using a back panel, the design of the appliance must be taken into account.

Measurements in mm



Measurements in mm