

**Series 4, Wall-mounted cooker hood,
60 cm, clear glass
DWA66DM50B**



B

Hood with glass design: performance combined with curved glass design to match your kitchen.

- **Especially silent:** maximum hood performance, minimum noise.
- **Grease filtration level:** filters out over 85% of the grease from kitchen air.
- **TouchSelect control:** Quickly select hood settings via touch.
- **LED illumination:** The energy-saving lighting provides bright and clear lighting for the hob area.
- **Intensive speed setting:** removes strong kitchen odours quickly and effectively.

Technical Data

Typology : Wall-mounted
 Length of electrical supply cord : 130 cm
 Height of the chimney : 576-897/576-1007 mm
 Height of product, without chimney : 50 mm
 Minimum distance above an electric hob : 550 mm
 Minimum distance above a gas hob : 650 mm
 Net weight : 14.2 kg
 Type of control : Electronic
 Maximum output air extraction : 401 m³/h
 Boost position output recirculating : 441 m³/h
 Maximum output recirculating air : 337 m³/h
 Boost position air extraction : 615 m³/h
 Number of lights (Stck) : 2
 Noise level : 59 dB(A) re 1 pW
 Diameter of air outlet : 120 / 150 mm
 Grease filter material : Washable aluminium
 EAN code : 4242005050932
 Connection rating : 220 W
 Fuse protection : 10 A
 Voltage : 220-240 V
 Frequency : 50; 60 Hz
 Plug type : GB plug
 Installation type : Wall-mounted

Optional accessories

DHZ1225 : Chimney extension 1000 mm
 DHZ1235 : Chimney extension 1500 mm
 DHZ6551 : Brushed steel back panel
 DWZ0DX0AO : Standard odor filter (replacement)
 DWZ0XX0J0 : Long Life recirculation kit
 DWZ1DX1I4 : Clean Air Standard recirculation kit
 DWZ1DX1I6 : Clean Air Plus recirculation kit
 DWZ1FX5C6 : Clean Air Plus recirc. kit external
 DZZ1XX1B6 : Clean Air Plus odor filter (replacement)



4 242005 050932

Series 4, Wall-mounted cooker hood, 60 cm, clear glass DWA66DM50B

Hood with glass design: performance combined with curved glass design to match your kitchen.

Key performance features:

- Energy Efficiency Class: B (at a range of energy efficiency classes from A+++ to D)
- Extraction rate according to EN 61591 ø 15 cm:
max. Normal use: 400 m³/h
Intensive: 615 m³/h
- Noise max. Normal Level: Noise, max. speed in normal use: 59 dB dB*

Features

- TouchControl with Electronic display
- Electronic display
- 3 power levels & intensive setting
- 2 x 1.5W LED light
- Colour Temperature: 3500 K
- Automatic intensive revert (6mins)
- 1 removable metal grease filter cassette
- Installation: wall

Design

- Chimney extractor hood
- TouchControl
- Electronic control

Performance/technical information

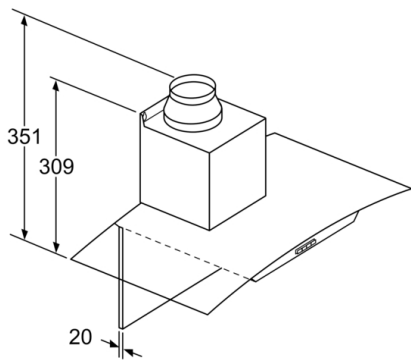
- Suitable for ducted or recirculating operation
- For recirculated extraction recirculating kit or CleanAir recirculating kit (accessory) needed
- Max. extraction rate: 615 m³/h
- Noise level according to EN 60704-3 and EN 60704-2-13 exhaust air:
Max. normal use: 59 dB(A) re 1 pW
Intensive: 69 dB(A) re 1 pW
- With the Clean Air Plus recirculation kit (available as optional accessory) your appliances reaches:
Extraction rate in recirculation mode: Max. normal use: 337 m³/h
Intensive: 441 m³/h
Noise level in recirculation mode: Max. normal use: 70 dB(A) re 1 pW
Intensive: 74 dB(A) re 1 pW
- Power rating: 220 W
- Light Intensity: 276 lux
- Electrical cable length 1.3 m
- Diameter pipe ø 150 mm (ø 120 mm enclosed)
- Dimensions exhaust air (HxWxD): 617-947 x 600 x 488 mm
- Dimensions recirculating (HxWxD): 617-1057 x 600 x 488 mm
- Dimensions recirculating with CleanAir module (HxWxD):
686 x 600 x 488 mm - mounting with outer chimney
815-1145 x 600 x 488 mm - mounting with telescopic chimney
- Blower Efficiency Class: A*
- Lighting Efficiency Class: A*
- Grease Filtering Efficiency Class: B*
- Average Energy Consumption: 45.6 kWh/year*

Optional accessories

- Recirculating kit DHZ1225

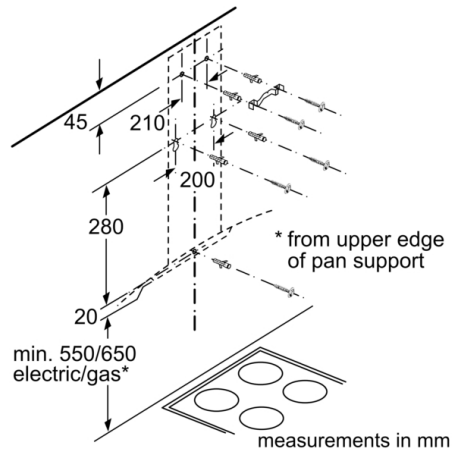
* In accordance with the EU-Regulation No 65/2014

**Series 4, Wall-mounted cooker hood, 60 cm,
clear glass
DWA66DM50B**

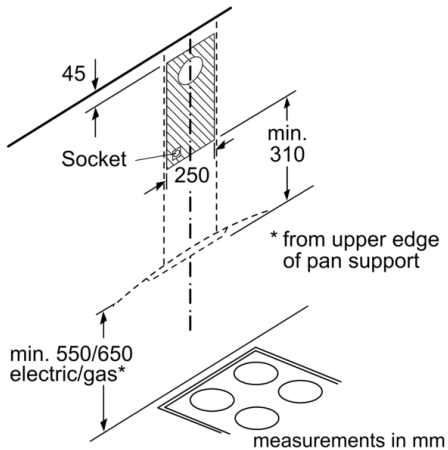


If a back panel is used,
the design of the appliance
must be considered.

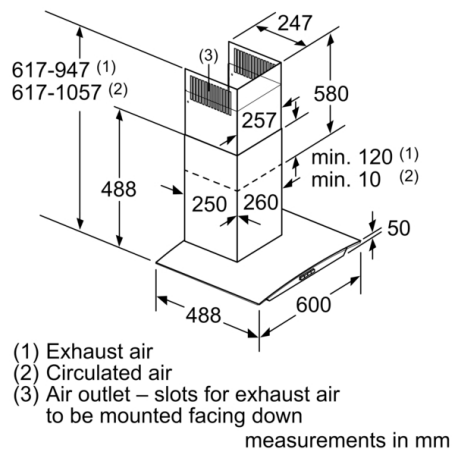
measurements in mm



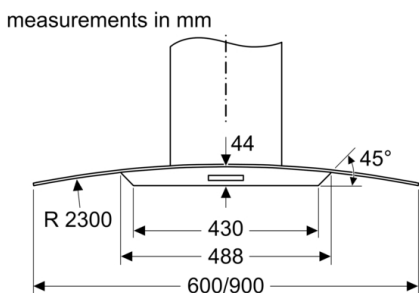
measurements in mm



measurements in mm



measurements in mm



measurements in mm

Dimensions for designing rear wall panels.
Please ensure that all dimensions are within
the tolerances. The actual dimensions must
be checked on the appliance in question.