

**Series 2, Wall-mounted cooker hood,  
60 cm, clear glass  
DWA64BC50B**



**Optional accessories**

DHZ1225 : Chimney extension 1000 mm  
DHZ1235 : Chimney extension 1500 mm  
DHZ6551 : Brushed steel back panel  
DWZ0XX0J0 : Long Life recirculation kit  
DWZ1DX1I4 : Clean Air Standard recirculation kit  
DWZ1DX1I6 : Clean Air Plus recirculation kit  
DWZ1FX5C6 : Clean Air Plus recirc. kit external  
DZZ1XX1B6 : Clean Air Plus odor filter (replacement)

**Hood with glass design: performance  
combined with curved glass design to  
match your kitchen.**

- **Silent:** maximum extractor performance with minimal noise.
- **LED illumination:** The energy-saving lighting provides bright and clear lighting for the hob area.
- An impressive extraction rate of m<sup>3</sup>/h ensures this hood will have your kitchen odour free in no time.
- 3-speed power Level options to suit your cooking style and recipes.
- Dishwasher safe aluminum mesh filters

**Technical Data**

Typology : Wall-mounted  
Length of electrical supply cord : 130.0 cm  
Height of the chimney : 576-897/576-1007 mm  
Height of the appliance : 50 mm  
Minimum distance above an electric hob : 550 mm  
Minimum distance above a gas hob : 650 mm  
Net weight : 12.6 kg  
Type of control : mechanical  
Number of speed settings : 3  
Maximum output air extraction : 365 m<sup>3</sup>/h  
Maximum output recirculating air : 240 m<sup>3</sup>/h  
Number of lights (Stck) : 2  
Noise level : 64 dB(A) re 1 pW  
Diameter of air outlet : 120 / 150 mm  
Grease filter material : Washable aluminium  
EAN code : 4242005050901  
Connection rating : 100 W  
Fuse protection : 10 A  
Voltage : 220-240 V  
Frequency : 50; 60 Hz  
Plug type : GB plug  
Installation type : Wall-mounted



## **Series 2, Wall-mounted cooker hood, 60 cm, clear glass DWA64BC50B**

*\* In accordance with the EU-Regulation No 65/2014*

### **Hood with glass design: performance combined with curved glass design to match your kitchen.**

---

#### **Key performance features:**

- Energy Efficiency Class: D (at a range of energy efficiency classes from A+++ to D)
- Max. extraction rate: 365 m<sup>3</sup>/h
- Noise max. Normal Level: Noise, max. speed in normal us: 64 dB dB\*

#### **Features**

- Push button control
- 3 power levels
- 2 x 1.5W LED light
- Colour Temperature: 3500 K
- 1 removable metal grease filter cassette
- Installation: wall

#### **Design**

- Chimney extractor hood
- Mechanical

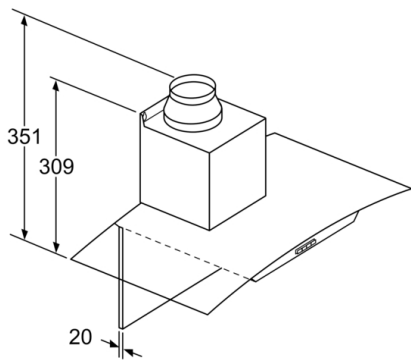
#### **Performance/technical information**

- Suitable for ducted or recirculating operation
- For recirculated extraction recirculating kit or CleanAir recirculating kit (accessory) needed
- Maximum extraction rate exhaust air 365 m<sup>3</sup>/h according to EN 61591
- Noise level according to EN 60704-3 and EN 60704-2-13 at max. normal use exhaust air: 64 dB(A) re 1 pW
- Power rating: 100 W
- Light Intensity: 113 lux
- Electrical cable length 1.3 m
- Diameter pipe Ø 150 mm (Ø 120 mm enclosed)
- Dimensions exhaust air (HxWxD): 617-947 x 600 x 488 mm
- Dimensions recirculating (HxWxD): 617-1057 x 600 x 488 mm
- Dimensions recirculating with CleanAir module (HxWxD):  
686 x 600 x 488mm - mounting with outer chimney  
815-1145 x 600 x 488 mm - mounting with telescopic chimney
- Blower Efficiency Class: E\*
- Lighting Efficiency Class: A\*
- Grease Filtering Efficiency Class: C\*
- Average Energy Consumption: 53.1 kWh/year\*

#### **Optional accessories**

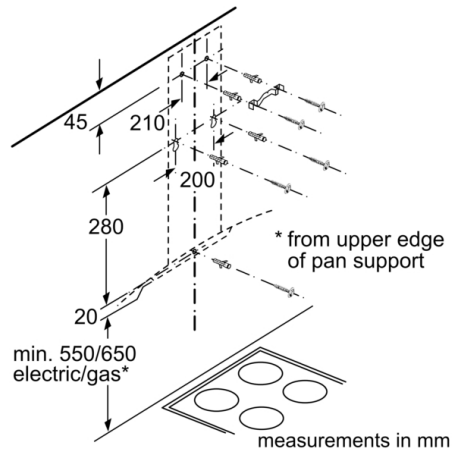
- Recirculating kit DWZ0DX0AO

**Series 2, Wall-mounted cooker hood, 60 cm,  
clear glass  
DWA64BC50B**

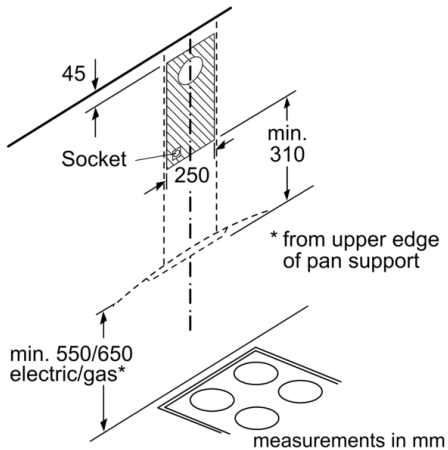


If a back panel is used,  
the design of the appliance  
must be considered.

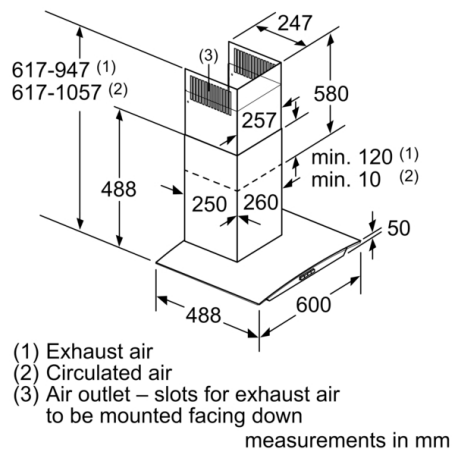
measurements in mm



measurements in mm

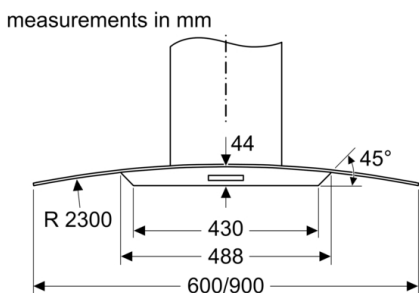


measurements in mm



measurements in mm

- (1) Exhaust air
- (2) Circulated air
- (3) Air outlet – slots for exhaust air to be mounted facing down



Dimensions for designing rear wall panels.  
Please ensure that all dimensions are within  
the tolerances. The actual dimensions must  
be checked on the appliance in question.