

**Series 4, Built-under cooker hood, 60 cm, Stainless steel  
DUL63CC50B**



**Optional accessories**

DHZ2701 Standard odor filter

**Conventional cooker hoods are mounted under cabinets and always visible, allowing you to keep your storage space.**

- 3-speed power Level options to suit your cooking style and recipes.
- Dishwasher safe aluminum mesh filters
- Ducted or Non-ducted Options

**Technical Data**

Typology: ..... Built-in/Built-under  
 Length electrical supply cord: ..... 145.0 cm  
 Minimum distance above an electric hob: ..... 650 mm  
 Minimum distance above a gas hob: .....650 mm  
 Net weight: .....6.2 kg  
 Type of control: .....mechanical  
 Number of speed settings: .....3  
 Max. air extraction: ..... 350 m<sup>3</sup>/h  
 Max. air recirculation: ..... 110 m<sup>3</sup>/h  
 Maximum Air flow: .....350 m<sup>3</sup>/h  
 Number of lights: ..... 2  
 Noise level: .....72 dB(A) re 1 pW  
 Diameter of air outlet: ..... 120 / 100 mm  
 Grease filter material: .....Washable aluminium  
 EAN code: .....4242002968513  
 Connection rating: ..... 146 W  
 Voltage: ..... 220-240 V  
 Frequency: ..... 50 Hz  
 Plug type: .....GB plug  
 Installation typology: ..... Built-under



## **Series 4, Built-under cooker hood, 60 cm, Stainless steel DUL63CC50B**

**Conventional cooker hoods are mounted under cabinets and always visible, allowing you to keep your storage space.**

### **Key performance features:**

- Energy Efficiency Class: D (at a range of energy efficiency classes from A+++ to D)
- Maximum extraction 350 m<sup>3</sup>/h
- Noise max. Normal Level: Noise, max. speed in normal us: 72 dB dB\*

### **Features**

- Push button control for extractor speeds and light
- 3 power levels
- 2 x 4W LED light
- Colour Temperature: 3000 K
- 2 removable metal grease filter cassettes

### **Design**

- Built under conventional hood
- Installation: Wall or under hang-up cupboard
- Adjustable glass visor
- Push button control
- Mechanical

### **Performance/technical information**

- Suitable for ducted or recirculating operation
- For recirculated extraction charcoal filter (accessory) needed
- Noise level according to EN 60704-3 and EN 60704-2-13 at maximum normal setting: extraction rate: 72 dB (A) re 1pW
- Power rating: 146 W
- Light Intensity: 45 lux
- Electrical cable length 1.45 m
- Blower Efficiency Class: E\*
- Lighting Efficiency Class: E\*
- Grease Filtering Efficiency Class: C\*
- Average Energy Consumption: 93.3 kWh/year\*
- Diameter pipe Ø 120 mm (Ø 100 mm enclosed)
- Dimensions exhaust air (HxWxD): 150-150 x 600 x 482 mm
- Dimensions recirculating (HxWxD): 150-150 x 600 x 482 mm

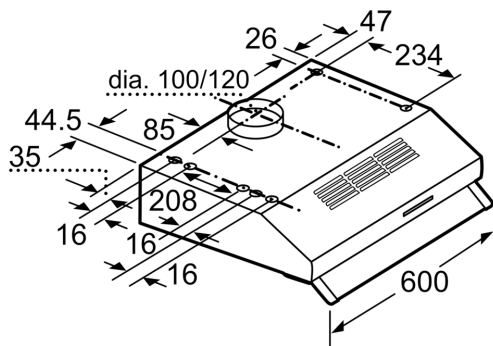
### **Optional accessories**

- Recirculating kit DHZ2701

\* In accordance with the EU-Regulation No 65/2014

**Series 4, Built-under cooker hood, 60  
cm, Stainless steel  
DUL63CC50B**

---



measurements in mm