

**Serie | 6, Ceiling cooker hood, 105 cm,
White
DRR16AQ20**



Optional accessories

DIZOJX0P0 : Long Life odor filter (replacement)

DIZ1JX1B6 : Clean Air Plus odor filter (replacement)

The Plug&Play ceiling ventilation: for a simple and space-saving solution, with perfect installation in open plan kitchens.

- Manage your appliances with your voice, thanks to the Amazon Alexa voice control.*
- **Cooktop-based hood control:** use the hob to control your hood.
- **Home Connect:** hoods with smart connectivity make life easier.
- **EcoSilence Drive™:** the powerful, energy-saving drive for hoods.
- **LED Illumination:** The energy-saving lighting provides bright and clear lighting for the hob area.

Technical Data

Typology : Island/Ceiling

Length of electrical supply cord : 0 cm

Height of the appliance : 183-183 mm

Minimum distance above an electric hob : 650 mm

Minimum distance above a gas hob : 650 mm

Net weight : 47.2 kg

Type of control : Electronic

Number of speed settings : 3-stage + 2 intensive

Boost position output recirculating : 484 m³/h

Maximum output recirculating air : 337 m³/h

Number of lights (Stck) : 4

Grease filter material : Washable stainless steel

EAN code : 4242005098804

Connection rating : 172 W

Voltage : 220-240 V

Frequency : 50; 60 Hz

Plug type : no plug (electrical connection by electrician)

Installation type : Island



4 242005 098804

Serie | 6, Ceiling cooker hood, 105 cm, White DRR16AQ20

The Plug&Play ceiling ventilation: for a simple and space-saving solution, with perfect installation in open plan kitchens.

Special features

- Hob based hood control
- Voice Control enabled via popular voice assistants (only in countries where this service is available)
- Home Connect: Remote Monitoring and Control for connected home appliances and operation via smartphone or tablet (only in countries where Home Connect service is available)
- The Home Connect functionality can be extended by integrating numerous applications from external cooperation partners (partnerships)
- 3 power levels and 2 intensive settings
- Automatic intensive revert (6mins)
- Softlight dimmer function
- 4 x 3W LED lights
- Colour Temperature: 3500 K
- Automatic after running (Automatic after running (10 min))
- 3 removable metal grease filter cassettes
- Saturation indicator for metal and charcoal filter
- CleanAir Plus charcoal filter included at first delivery.

Design

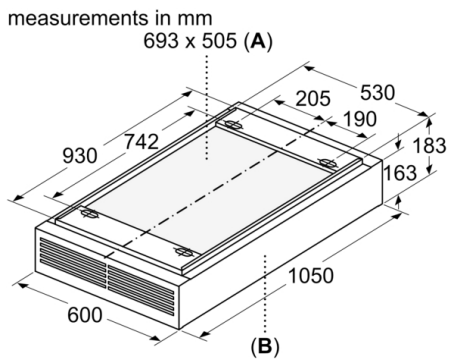
- Installation: Ceiling
- Electronic control
- Steel filter cover

Performance/technical information

- Suitable for recirculated operation
- For recirculated extraction charcoal filter (accessory) needed
- Extraction rate in recirculation mode with Clean Air Plus odor filter:
 - Max. normal use: 409 m³/h
 - Intensive: 580 m³/h
- Noise level in recirculation mode with Clean Air Plus odor filter :
 - Max. normal use: 68 dB(A) re 1 pW
 - Intensive: 76 dB(A) re 1 pW
- Power rating: 172 W
- Light Intensity: 505 lux
- Dimensions recirculating (HxWxD): 183-183 x 1050 x 600 mm
- Lighting Efficiency Class: A*

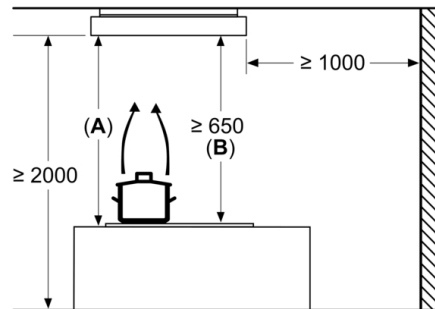
* In accordance with the EU-Regulation No 65/2014

**Serie | 6, Ceiling cooker hood, 105 cm, White
DRR16AQ20**



A: Area for cable outlet on the ceiling
B: Front of appliance

measurements in mm



A: Optimum performance up to 1500 mm
B: From upper edge of pan support