

**Series 6, Canopy cooker hood, 70 cm, Black  
DLN77AC60B**



**Optional accessories**

DHZ5316	Standard odor filter (replacement)
DHZ5605	Standard recirculation kit
DWZ1IT1D1	Long Life recirculation kit external
DWZ1IX1B6	Clean Air Plus odor filter (replacement)
DWZ1IX1C6	Clean Air Plus recirc. kit external

**Canopy hood: designed to fit neatly under an overhead unit or cabinet. They're discreet and effectively use valuable space.**

- **High extraction rate - for continuously clean air in the kitchen.**
- **LED Illumination:** the energy-saving lighting provides a clear and bright illumination for your hob area.
- **Seamless integration:** thanks to flush installation, the canopy hood is almost invisible in upper cabinets.
- **Intensive Setting:** the powerful way to beat intense steam during cooking.

**Technical Data**

Typology: ..... Built-in/Built-under  
 Length electrical supply cord: ..... 150 cm  
 Required niche size for installation (HxWxD): ... 345mm x 676.0mm x 264mm mm  
 Height of the appliance: ..... 345 mm  
 Minimum distance above an electric hob: ..... 500 mm  
 Minimum distance above a gas hob: .....650 mm  
 Net weight: .....9.1 kg  
 Type of control: .....Electronic  
 Number of speed settings: ..... 3-stages + intensive setting  
 Max. air extraction: ..... 595 m<sup>3</sup>/h  
 Boost position output recirculating: ..... 705 m<sup>3</sup>/h  
 Max. air recirculation: ..... 580 m<sup>3</sup>/h  
 Boost position air extraction: ..... 730 m<sup>3</sup>/h  
 Maximum Air flow: .....595 m<sup>3</sup>/h  
 Number of lights: ..... 2  
 Noise level: .....63 dB(A) re 1pW  
 Diameter of air outlet: ..... 120 / 150 mm  
 Grease filter material: .....Washable aluminium  
 EAN code: .....4242005475643  
 Connection rating: ..... 252 W  
 Fuse protection: .....3 A  
 Voltage: ..... 220-240 V  
 Frequency: ..... 60; 50 Hz  
 Plug type: .....GB plug  
 Installation typology: ..... Built-in



## Series 6, Canopy cooker hood, 70 cm, Black DLN77AC60B

**Canopy hood: designed to fit neatly under an overhead unit or cabinet. They're discreet and effectively use valuable space.**

### Design:

- Canopy hood
- Installation: Cabinet
- Flush-fitted installation for a seamless integration in wall cupboards.
- Suitable for ducted or recirculating operation
- For recirculated extraction various recirculation kits are available as optional accessories.

### Core Features:

- 2 x 1W LED
- Colour Temperature: 4000 K
- Light Intensity: 400 lux
- Capacitor motor
- 2 metal grease filter(s).

### Comfort Features:

- Soft touch button control with Electronic display
- 3 power levels & intensive setting
- Automatic reset from intensive to normal setting after 6 min

### Cleaning Comfort:

- Removable metal grease filters dishwasher-safe
- Easy to clean smooth surfaces and materials.

### Performance Exhaust:

- According to EN 61591 and EN/ IEC 60704-2-13 your appliance can achieve the following values in exhaust mode: Speed 1: extraction rate 270 m<sup>3</sup>/h; noise level 45 dB (A) re1pW Speed 2: extraction rate 400 m<sup>3</sup>/h; noise level 53 dB (A) re1pW Speed 3: extraction rate 595 m<sup>3</sup>/h; noise level 63 dB (A) re1pW Intensive 1: extraction rate 730 m<sup>3</sup>/h; noise level 68 dB (A) re1pW
- Energy Efficiency Class: A (at a range of energy efficiency classes from A+++ to D)
- Average Energy Consumption: 55.5 kWh/year\*
- Blower Efficiency Class: A\*
- Lighting Efficiency Class: A\*
- Grease Filtering Efficiency Class: D\*

### Performance Recirculation:

- According to EN 61591 and EN/ IEC 60704-2-13 your appliance can achieve the following values in recirculation mode with standard recirculation kit (available as optional accessory): Speed 1: extraction rate 250 m<sup>3</sup>/h; noise level 65 dB (A) re1pW Speed 2: extraction rate 350 m<sup>3</sup>/h; noise level 71 dB (A) re1pW Speed 3: extraction rate 400 m<sup>3</sup>/h ; noise level 74 dB (A) re1pW Intensive Speed 1: extraction rate 430 m<sup>3</sup>/h; noise level 75 dB (A) re1pW
- According to EN 61591 and EN/ IEC 60704-2-13 your appliance can achieve the following values in recirculation mode with Clean Air plus recirculation kit, for chimless installation (available as optional accessory): Speed 1: extraction rate 260 m<sup>3</sup>/h ; noise level 53 dB (A) re1pW Speed 2: extraction rate 385 m<sup>3</sup>/h ; noise

level 71 dB (A) re1pW Speed 3: extraction rate 580 m<sup>3</sup>/h ; noise level 70 dB (A) re1pW Intensive Speed 1: extraction rate 705 m<sup>3</sup>/h ; noise level 73 dB (A) re1pW)

### Technical Information and Sustainability:

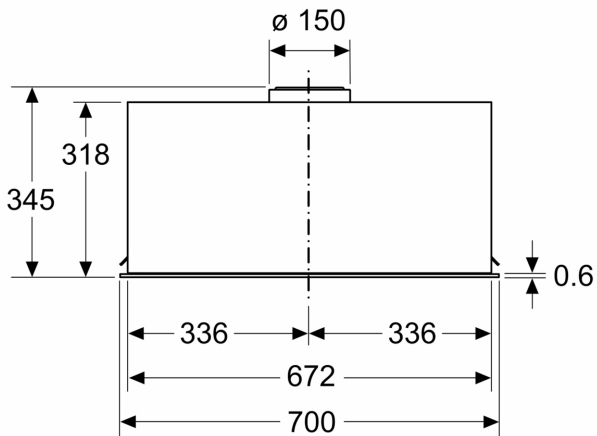
- Consumption data:
- Power rating: 252 W
- Voltage: Nominal voltage: 220 - 240 V
- Sustainability:
- Environmentally friendly packaging
- Available odour filter as regenerative Long Life filter with 10 years lifetime

### Planning and Installation Information:

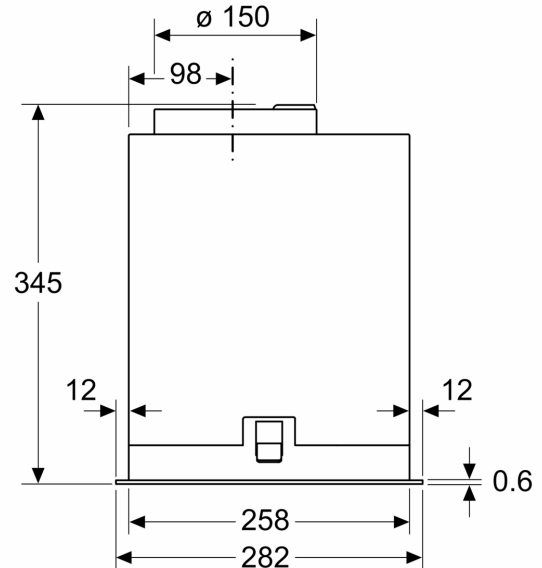
- Dimensions (HxWxD): 345 x 700 x 282 mm
- Dimensions recirculating (HxWxD): 345-345 x 700 x 282 mm
- Built-in dimensions (HxWxD): 345 x 676 x 264 mm
- Please reference the built-in dimensions provided in the installation drawings
- Electrical cable length 1.5 m
- Diameter pipe Ø 150 mm (Ø 120 mm enclosed)
- Back-pressure flap: Yes

**Series 6, Canopy cooker hood, 70 cm, Black  
DLN77AC60B**

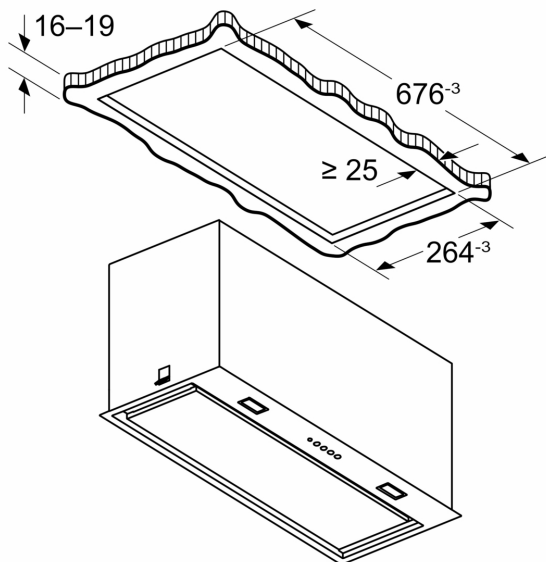
Measurements in mm



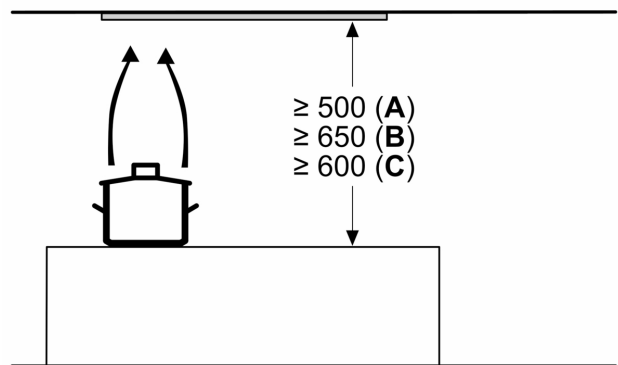
Measurements in mm



Measurements in mm



Measurements in mm



**A:** Electric

**B:** Gas - from upper edge of pan support

**C:** Electric - for Australia and New Zealand