

**Series 6, Canopy cooker hood, 52 cm, Black
DLN56AC60B**



Optional accessories

DHZ5316	Standard odor filter (replacement)
DHZ5605	Standard recirculation kit
DWZ1IT1D1	Long Life recirculation kit external
DWZ1IX1B6	Clean Air Plus odor filter (replacement)
DWZ1IX1C6	Clean Air Plus recirc. kit external

Canopy hood: designed to fit neatly under an overhead unit or cabinet. They're discreet and effectively use valuable space.

- **Seamless integration:** thanks to flush installation, the canopy hood is almost invisible in upper cabinets.
- **High extraction rate - for continuously clean air in the kitchen.**
- **Intensive Setting:** the powerful way to beat intense steam during cooking.
- **LED Illumination:** the energy-saving lighting provides a clear and bright illumination for your hob area.
- **Push button control:** effortless hood operation with real push buttons.

Technical Data

Typology:	Built-in/Built-under
Length electrical supply cord:	150 cm
Required niche size for installation (HxWxD): ...	345mm x 496.0mm x 264mm mm
Height of the appliance:	345 mm
Minimum distance above an electric hob:	500 mm
Minimum distance above a gas hob:	650 mm
Net weight:	7.8 kg
Type of control:	Electronic
Number of speed settings:	3-stages + intensive setting
Max. air extraction:	570 m ³ /h
Boost position output recirculating:	628 m ³ /h
Max. air recirculation:	560 m ³ /h
Boost position air extraction:	645 m ³ /h
Maximum Air flow:	570 m ³ /h
Number of lights:	2
Noise level:	66 dB(A) re 1pW
Diameter of air outlet:	150 / 120 mm
Grease filter material:	Washable aluminium
EAN code:	4242005475605
Connection rating:	252 W
Fuse protection:	3 A
Voltage:	220-240 V
Frequency:	60; 50 Hz
Plug type:	GB plug
Installation typology:	Built-in



Series 6, Canopy cooker hood, 52 cm, Black DLN56AC60B

Canopy hood: designed to fit neatly under an overhead unit or cabinet. They're discreet and effectively use valuable space.

Design:

- Canopy hood
- Installation: Cabinet
- Flush-fitted installation for a seamless integration in wall cupboards.
- Suitable for ducted or recirculating operation
- For recirculated extraction various recirculation kits are available as optional accessories.

Core Features:

- 2 x 1W LED
- Colour Temperature: 4000 K
- Light Intensity: 400 lux
- Capacitor motor
- 1 metal grease filter(s).

Comfort Features:

- Soft touch button control with Electronic display
- 3 power levels & intensive setting
- Automatic reset from intensive to normal setting after 6 min

Cleaning Comfort:

- Removable metal grease filters dishwasher-safe
- Easy to clean smooth surfaces and materials.

Performance Exhaust:

- According to EN 61591 and EN/ IEC 60704-2-13 your appliance can achieve the following values in exhaust mode: Speed 1: extraction rate 295 m³/h; noise level 50 dB (A) re1pW Speed 2: extraction rate 445 m³/h; noise level 59 dB (A) re1pW Speed 3: extraction rate 570 m³/h; noise level 66 dB (A) re1pW Intensive 1: extraction rate 645 m³/h; noise level 68 dB (A) re1pW
- Energy Efficiency Class: B (at a range of energy efficiency classes from A+++ to D)
- Average Energy Consumption: 75.2 kWh/year*
- Blower Efficiency Class: C*
- Lighting Efficiency Class: A*
- Grease Filtering Efficiency Class: D*

Performance Recirculation:

- According to EN 61591 and EN/ IEC 60704-2-13 your appliance can achieve the following values in recirculation mode with standard recirculation kit (available as optional accessory): Speed 1: extraction rate 230 m³/h; noise level 62 dB (A) re1pW Speed 2: extraction rate 330 m³/h; noise level 69 dB (A) re1pW Speed 3: extraction rate 400 m³/h ; noise level 72 dB (A) re1pW Intensive Speed 1: extraction rate 410 m³/h; noise level 74 dB (A) re1pW
- According to EN 61591 and EN/ IEC 60704-2-13 your appliance can achieve the following values in recirculation mode with Clean Air plus recirculation kit, for chimless installation (available as optional accessory): Speed 1: extraction rate 280 m³/h ; noise level 56 dB (A) re1pW Speed 2: extraction rate 430 m³/h ; noise

level 69 dB (A) re1pW Speed 3: extraction rate 560 m³/h ; noise level 69 dB (A) re1pW Intensive Speed 1: extraction rate 628 m³/h ; noise level 72 dB (A) re1pW)

Technical Information and Sustainability:

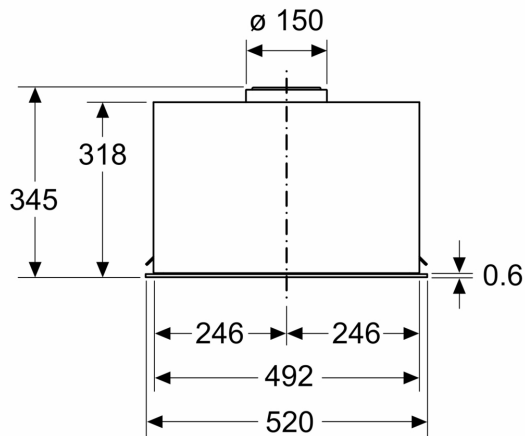
- Consumption data:
- Power rating: 252 W
- Voltage: Nominal voltage: 220 - 240 V
- Sustainability:
- Environmentally friendly packaging
- Available odour filter as regenerative Long Life filter with 10 years lifetime

Planning and Installation Information:

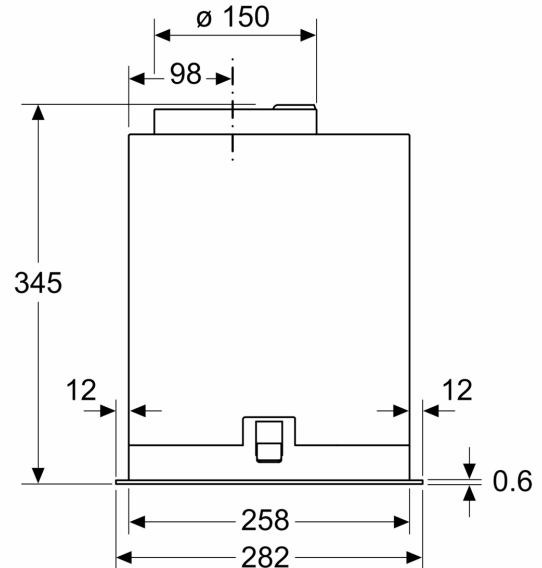
- Dimensions (HxWxD): 345 x 520 x 282 mm
- Dimensions recirculating (HxWxD): 345-345 x 520 x 282 mm
- Built-in dimensions (HxWxD): 345 x 496 x 264 mm
- Please reference the built-in dimensions provided in the installation drawings
- Electrical cable length 1.5 m
- Diameter pipe Ø 150 mm (Ø 120 mm enclosed)
- Back-pressure flap: Yes

**Series 6, Canopy cooker hood, 52
cm, Black
DLN56AC60B**

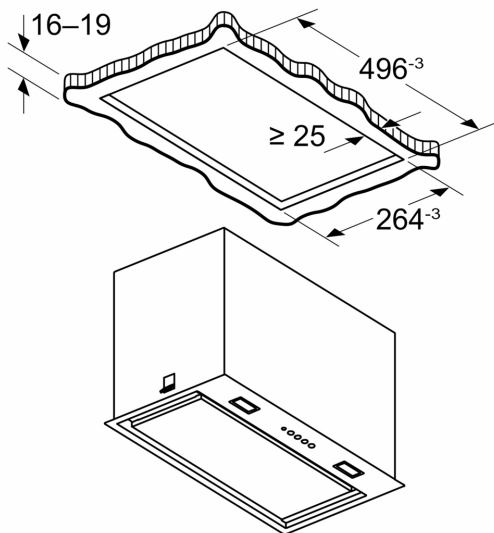
Measurements in mm



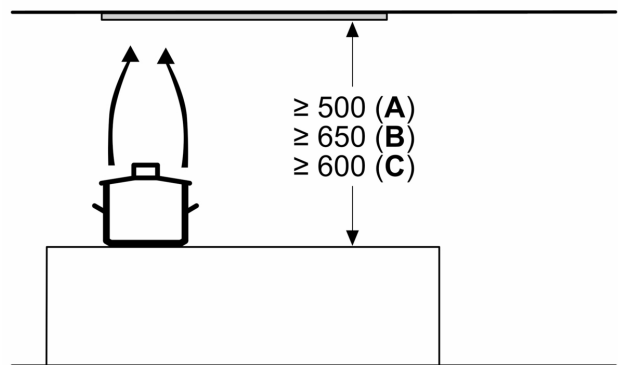
Measurements in mm



Measurements in mm



Measurements in mm



A: Electric

B: Gas - from upper edge of pan support

C: Electric - for Australia and New Zealand