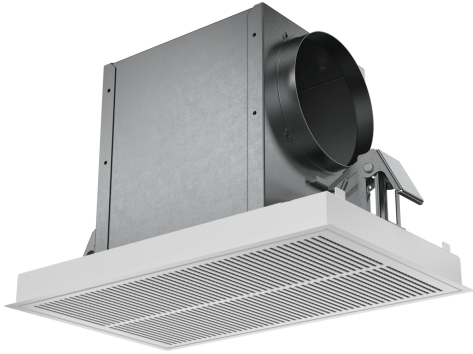


**Clean Air Plus recirculation kit,
initial equipment, White
DIZ1JC2C6**



- **Clean Air Plus odour filter:** filters a very high amount of all kitchen odours out of the air.

Technical Data

Dimensions of the packed product (HxWxD):440x400x600 mm
Pallet dimensions: 150.0 x 80.0 x 120.0
Standard number of units per pallet: 16
Net weight:4.3 kg
Gross weight: 6.3 kg
EAN code:4242005179718



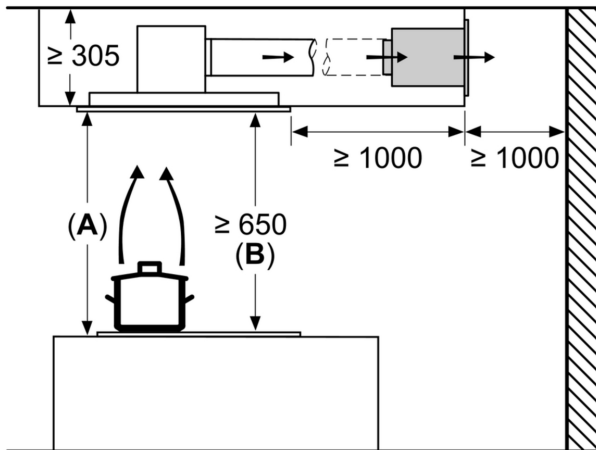
Clean Air Plus recirculation kit, initial equipment, White DIZ1JC2C6

Optional accessories

- Clean Air Plus recirc.kit external white
- Colour: white
- For recirculation operation
- Combined with ceiling hoods
- Odour reduction > 90%
- Lifetime of CleanAir Plus odour filter 12-18 months
- Anti-fish functionality: Especially treated against fish smell
- Anti-pollen functionality: The filter retains 99% of airborne pollen and deactivates allergens which are retained by the filter.
- Connection pipe front, side or top

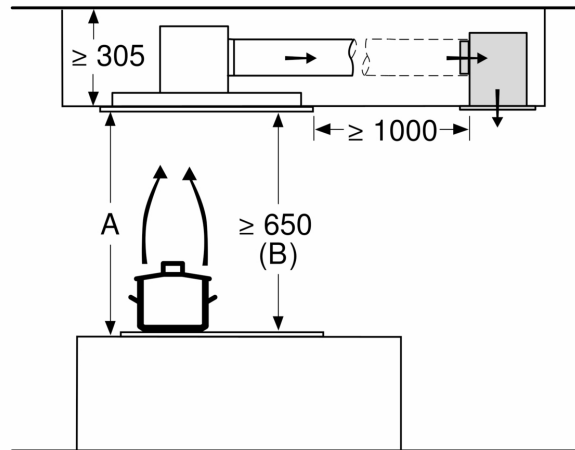
**Clean Air Plus recirculation kit,
initial equipment, White
DIZ1JC2C6**

measurements in mm
Air recirculation

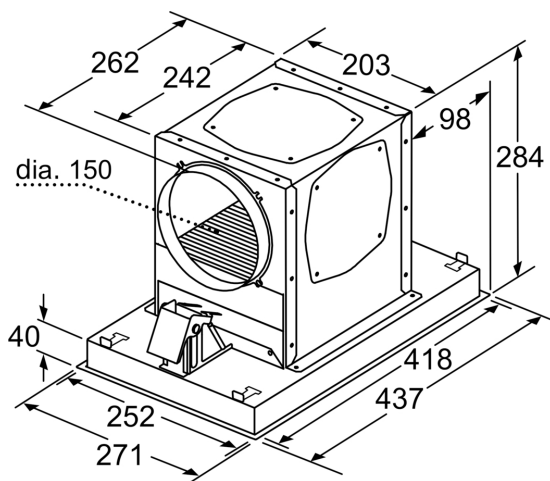


A: Optimum performance 700-1500
B: From upper edge of pan support

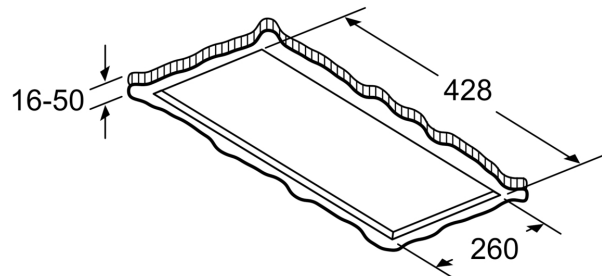
measurements in mm
Air recirculation



A: Optimum performance 700-1500
B: From upper edge of pan support



measurements in mm



measurements in mm