

**Series 8, Ceiling cooker hood, 90 cm,  
Stainless steel  
DID09T951B**



**Optional accessories**

DSZ5201	CleanAir active carbon filter spare part
DSZ5300	CleanAir Recirculation module

**The ceiling cooker hood: the space-saving solution for perfect integration into the ceiling.**

- **Silent:** maximum extractor performance with minimal noise.
- **Intensive speed setting:** removes strong kitchen odours quickly and effectively.
- **Dishwasher safe aluminum mesh filters**

**Technical Data**

Typology: .....	Island/Ceiling
Length electrical supply cord: .....	140.0 cm
Min. required niche size for installation (HxWxD): 299mm x 870.0mm x 476mm mm	
Minimum distance above an electric hob: .....	550 mm
Minimum distance above a gas hob: .....	650 mm
Net weight: .....	15.9 kg
Type of control: .....	Electronic
Number of speed settings: .....	3-stages + intensive setting
Max. air extraction: .....	583 m <sup>3</sup> /h
Boost position output recirculating: .....	575.0 m <sup>3</sup> /h
Max. air recirculation: .....	507 m <sup>3</sup> /h
Boost position air extraction: .....	780 m <sup>3</sup> /h
Maximum Air flow: .....	583 m <sup>3</sup> /h
Number of lights: .....	4
Noise level: .....	64 dB(A) re 1 pW
Diameter of air outlet: .....	150 mm
Grease filter material: .....	Washable aluminium
EAN code: .....	4242002941448
Connection rating: .....	285 W
Fuse protection: .....	10 A
Voltage: .....	220-240 V
Frequency: .....	50 Hz
Plug type: .....	GB plug
Installation typology: .....	Built-in
Delay Shut off modes: .....	10 min



## Series 8, Ceiling cooker hood, 90 cm, Stainless steel DID09T951B

### The ceiling cooker hood: the space-saving solution for perfect integration into the ceiling.

#### Key performance features:

- Energy Efficiency Class: A (at a range of energy efficiency classes from A+++ to D)
- Extraction rate according to EN 61591 ø 15 cm:
  - max. Normal use 575 m<sup>3</sup>/h
  - Intensive 780 m<sup>3</sup>/h
- Noise max. Normal Level: Noise, max. speed in normal use: 64 dB dB\*

#### Features

- Soft touch button control with 7-segment display
- 7-segment display
- 3 power levels & intensive setting
- 4 x LED 2.5W
- Colour Temperature: 4000 K
- Interval operation
- Automatic intensive revert
- Automatic 10 minutes after running
- Filter cover stainless steel, Removable metal grease filters
- 2 removable metal grease filter cassettes
- Installation: Ceiling
- Rim ventilation

#### Design

- Soft touch button control
- Electronic control
- radio remote control

#### Performance/technical information

- Suitable for ducted or recirculating operation
- For recirculated extraction CleanAir recirculating kit (accessory) needed
- Extraction rate according to EN 61591 max. 780 m<sup>3</sup>/h
- Noise level according to EN 60704-3 and EN 60704-2-13 at max. normal use exhaust air: 64 dB(A) re 1 pW
- Noise level according to EN 60704-3 and EN 60704-2-13 exhaust air:
  - Max. normal use: 64 dB(A) re 1 pW
  - Intensive: 70 dB(A) re 1 pW
- Noise level according to EN 60704-3 and EN 60704-2-13 at maximum normal setting: extraction rate: 64 dB (A) re 1 pW
- Power rating: 285 W
- Light Intensity: 673 lux
- Electrical cable length 1.4 m
- Extractor hose 150 mm
- Diameter pipe ø 150 mm (ø 150 mm enclosed)
- Dimensions (WxD): 900 x 500 mm
- Built-in dimensions (HxWxD): 299 x 870 x 476 mm
- Blower Efficiency Class: A\*
- Lighting Efficiency Class: A\*

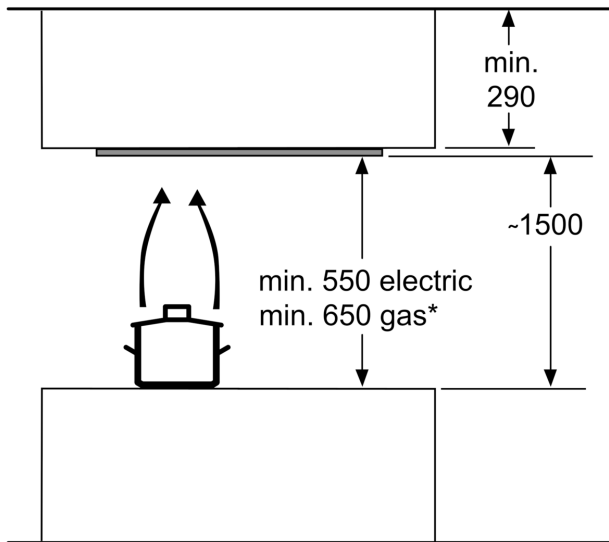
- Grease Filtering Efficiency Class: E\*
- Average Energy Consumption: 58.2 kWh/year\*

#### Optional accessories

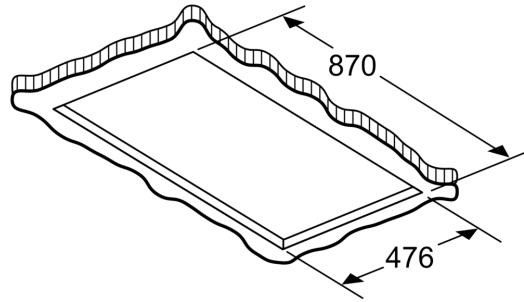
- Recirculating kit DSZ5201

\* In accordance with the EU-Regulation No 65/2014

**Series 8, Ceiling cooker hood, 90 cm,  
Stainless steel  
DID09T951B**



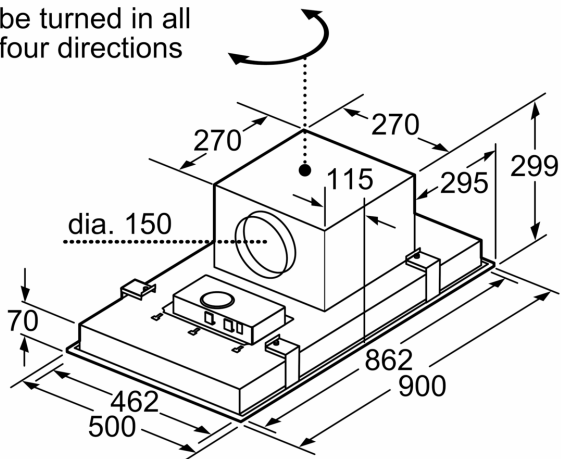
\* from upper edge of pan support  
measurements in mm



A suitable load-bearing substructure is required for securing the extractor hood. Never fit the appliance directly onto plasterboard or similar lightweight construction materials.

measurements in mm

The fan outlet can be turned in all four directions



measurements in mm