

## Back panel DHZ9551



- DHZ9551
- Brushed steel back panel
- Stainless steel
- 90cm wide

---

### Technical Data

Dimensions of the packed product (HxWxD): ..... 35x845x920 mm  
Pallet dimensions: ..... 115.0 x 80.0 x 120.0  
Standard number of units per pallet: ..... 30  
Net weight: ..... 7.0 kg  
Gross weight: ..... 9.1 kg  
EAN code: ..... 4242002595399

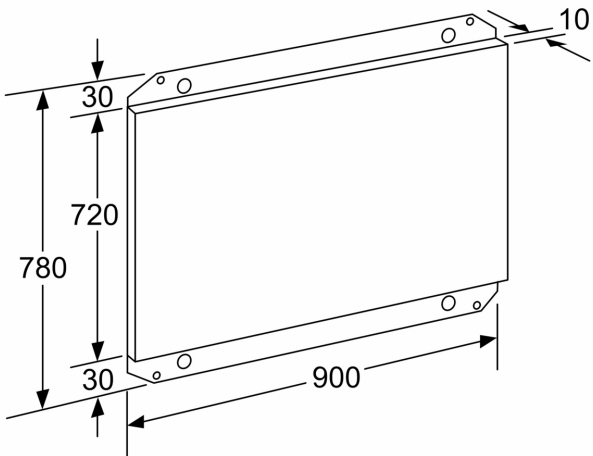
---



4 242002 595399

**Back panel  
DHZ9551**

---



Measurements in mm