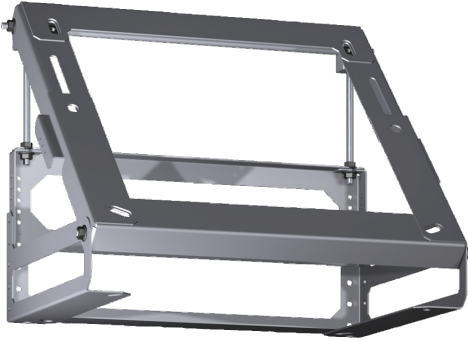


Installation accessory DHZ1241



- Adapter for island chimney hood
- For mounting on a inclined roof forwards or backwards
- Suitable for roof inclination from 20 - 45 degrees

Technical Data

Dimensions of the packed product (HxWxD): 320 x 315 x 410 mm
Pallet dimensions: 145.0 x 80.0 x 120.0
Standard number of units per pallet: 24
Net weight: 1.6 kg
Gross weight: 3.3 kg
EAN code: 4242002503486



Installation accessory

DHZ1241

Optional accessories

- Adapter for island chimney hood
- For mounting on a inclined roof forwards or backwards
- Suitable for roof inclination from 20 - 45 degrees

Installation accessory
DHZ1241

