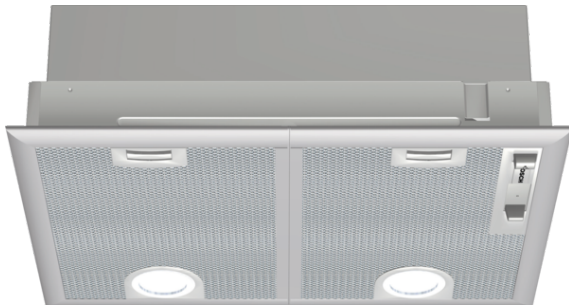


**Serie | 4, Canopy cooker hood, 53 cm,
Silver metallic
DHL555BGB**



Canopy cooker hoods are designed to be fully integrated for more flexibility when planning your kitchen.

- An impressive extraction rate of 650 m³/h ensures this hood will have your kitchen odour free in no time.
- Halogen lighting provides energy efficient and bright lighting of the hob area.
- For fast and effective extraction, the intensive speed setting removes strong kitchen odours quickly and effectively.
- **Especially quiet:** high performance at just 45 dB.

Technical Data

Typology :	Traditional
Approval certificates :	CE, VDE
Length of electrical supply cord (cm) :	130
Required niche size for installation (HxWxD) :	255mm x 500mm x 350mm
Minimum distance above an electric hob :	650
Minimum distance above a gas hob :	650
Net weight (kg) :	7.539
Type of control :	mechanical
Maximum output air extraction (m ³ /h) :	420
Boost position output recirculating (m ³ /h) :	430
Maximum output recirculating air (m ³ /h) :	320
Boost position air extraction (m ³ /h) :	650
Number of lights (Stck) :	2
Noise level (dB(A) re 1 pW) :	59
Diameter of air outlet (mm) :	120 / 150
Grease filter material :	Washable aluminium
EAN code :	4242002782577
Connection rating (W) :	240
Current (A) :	10
Voltage (V) :	220-240
Frequency (Hz) :	50
Plug type :	GB plug
Installation type :	Built-in

Optional accessories

DHZ7305 : Charcoal filter for recirculation oper.

DHZ7402 : Accessories extractor hoods



4 242002 782577

Serie | 4, Canopy cooker hood, 53 cm, Silver metallic DHL555BGB

Canopy cooker hoods are designed to be fully integrated for more flexibility when planning your kitchen.

Key features

- Mechanical

Design

- 53 cm wide
- Silver metallic lacquer

Features

- 3 power levels & intensive setting
- 2 x 20W low energy halogen lights
- Light Colour: warm white
- 2 removable metal grease filter cassettes
- Removable metal grease filters

Performance/technical information

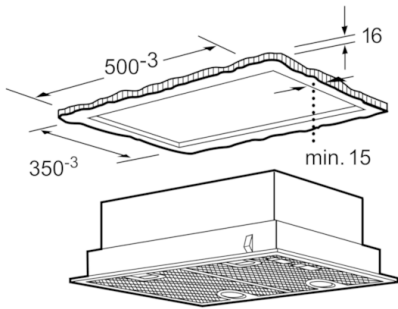
- Suitable for ducted or recirculating operation
- Extraction rate according to EN 61591 \varnothing 15 cm:
max. Normal use 420 m³/h
Intensive 650 m³/h
- Extraction rate exhaust air according to EN 61591:
max. normal use 420 m³/h, intensive 650 m³/h
- Power rating: 240 W
- Noise level according to EN 60704-3 and EN 60704-2-13
exhaust air:
Max. normal use: 59 dB(A) re 1 pW (45 dB(A) re 20 μ Pa sound pressure)
Intensive: 69 dB(A) re 1 pW (55 dB(A) re 20 μ Pa sound pressure)
- Noise max. Normal Level: 59 dB*
- Average Energy Consumption: 111.4 kWh/year*
- Energy Efficiency Class: D*
- Blower Efficiency Class: D*
- Lighting Efficiency Class: F*
- Grease Filtering Efficiency Class: B*
- Dimensions exhaust air (HxWxD): 255-255 x 530 x 380 mm
- Dimensions recirculating (HxWxD): 255-255 x 530 x 380 mm
- Diameter pipe \varnothing 150 mm (\varnothing 120 mm enclosed)
- Light Intensity: 335 lux
- Colour Temperature: 2800 K

Optional accessories

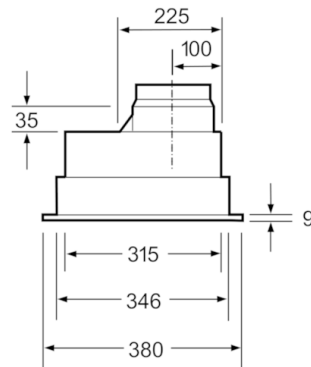
- For recirculated extraction charcoal filter (accessory) needed

* In accordance with the EU-Regulation No 65/2014

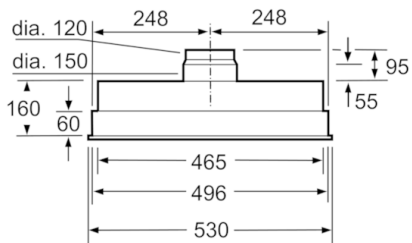
**Serie | 4, Canopy cooker hood, 53 cm, Silver metallic
DHL555BGB**



measurements in mm



measurements in mm



measurements in mm