

**Serie | 4, Telescopic cooker hood, 90 cm, Silver metallic DFS097A50B**

**A**



**Telescopic cooker hoods extend when in use and slide neatly away when not in operation.**

- **Extra silent:** the high-performance hood, with minimal noise.
- **Grease filtration level:** filters out over 85% of the grease from kitchen air.
- **EcoSilence Drive™:** the powerful, energy-saving drive for hoods.
- **LED illumination:** The energy-saving lighting provides bright and clear lighting for the hob area.
- **Intensive speed setting:** removes strong kitchen odours quickly and effectively.

**Technical Data**

Typology : Pull-out  
 Approval certificates : CE, G-Mark, VDE  
 Length of electrical supply cord : 175 cm  
 Required niche size for installation (HxWxD) : 385mm x 524.0mm x 290mm mm  
 Minimum distance above an electric hob : 430 mm  
 Minimum distance above a gas hob : 650 mm  
 Net weight : 13.8 kg  
 Type of control : Electronic  
 Maximum output air extraction : 408 m<sup>3</sup>/h  
 Boost position output recirculating : 496 m<sup>3</sup>/h  
 Maximum output recirculating air : 358 m<sup>3</sup>/h  
 Boost position air extraction : 758 m<sup>3</sup>/h  
 Number of lights (Stck) : 2  
 Noise level : 54 dB(A) re 1 pW  
 Diameter of air outlet : 150 / 120 mm  
 Grease filter material : Washable aluminium  
 EAN code : 4242002918334  
 Connection rating : 146 W  
 Fuse protection : 10 A  
 Voltage : 220-240 V  
 Frequency : 60; 50 Hz  
 Plug type : GB plug  
 Installation type : Built-in

**Optional accessories**

- DSZ4561 : Standard odor filter (replacement)
- DSZ4565 : Standard recirculation kit
- DSZ4920 : Installation kit for 90cm wide wall unit
- DSZ4960 : Lowering frame
- DWZ0IT0P0 : Long Life odor filter (replacement)
- DWZ1IT1D1 : Long Life recirculation kit external
- DWZ1IX1B6 : Clean Air Plus odor filter (replacement)
- DWZ1IX1C6 : Clean Air Plus recirc. kit external



## Serie | 4, Telescopic cooker hood, 90 cm, Silver metallic DFS097A50B

**Telescopic cooker hoods extend when in use  
and slide neatly away when not in operation.**

### Key performance features:

- Energy Efficiency Class: A (at a range of energy efficiency classes from A+++ to D)
- Extraction rate according to EN 61591 ø 15 cm:  
max. Normal use 407 m<sup>3</sup>/h  
Intensive 758 m<sup>3</sup>/h
- Noise max. Normal Level: Noise, max. speed in normal us: 54 dB dB\*

### Features

- Electronic control via Soft touch button control
- 3 power levels & intensive setting
- Automatic intensive revert (6mins)
- 2 x LED lights
- Neutral white lights
- Efficient BLDC technology
- Automatic after running (Automatic after running (10 min))
- 3 removable metal grease filter cassettes
- Removable metal grease filters

### Design

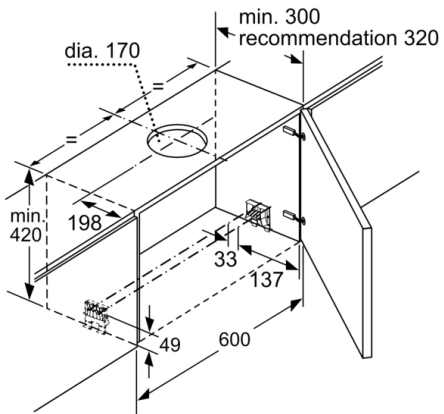
- Telescopic hood
- 90 cm wide
- Installation: Cupboard 60 or 90 cm
- Handle strip specification: stainless steel without logo
- Silver metallic lacquer
- Pyramid filter

### Performance/technical information

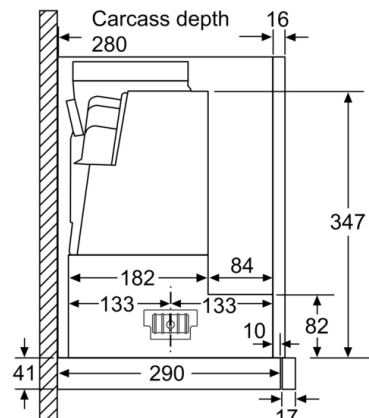
- Installation system: Telescopic comfort installat.
- Suitable for ducted or recirculating operation
- For recirculated extraction recirculating kit or CleanAir recirculating kit (accessory) needed
- Extraction rate exhaust air according to EN 61591:  
max. normal use 407 m<sup>3</sup>/h, intensive 758 m<sup>3</sup>/h
- Noise level according to EN 60704-3 and EN 60704-2-13 exhaust air:  
Max. normal use: 54 dB(A) re 1 pW  
Intensive: 69 dB(A) re 1 pW
- With the Clean Air Plus recirculation kit (available as optional accessory) your appliances reaches:  
Extraction rate in recirculation mode:  
Max. normal use: 358 m<sup>3</sup>/h  
Intensive: 496 m<sup>3</sup>/h  
Noise level in recirculation mode:  
Max. normal use: 60 dB(A) re 1 pW  
Intensive: 67 dB(A) re 1 pW
- Power rating: 146 W
- Light Intensity: 615 lux
- Colour Temperature: 3500 K
- Average Energy Consumption: 38.5 kWh/year\*
- Blower Efficiency Class: A\*
- Lighting Efficiency Class: A\*
- Grease Filtering Efficiency Class: B\*
- Diameter pipe ø 150 mm (ø 120 mm enclosed)
- Dimensions (HxWxD): 426 x 898 x 290 mm
- Dimensions exhaust air (HxWxD): 426-426 x 898 x 290 mm
- Dimensions recirculating (HxWxD): 426-426 x 898 x 290 mm

### Accessories

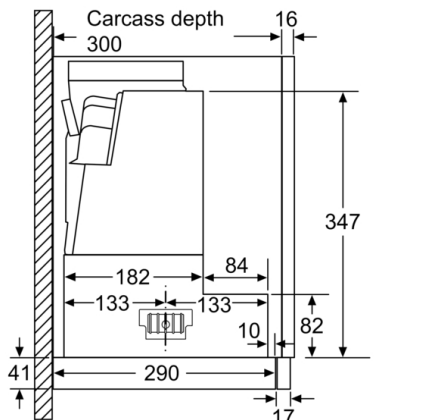
**Serie | 4, Telescopic cooker hood, 90 cm,  
Silver metallic  
DFS097A50B**



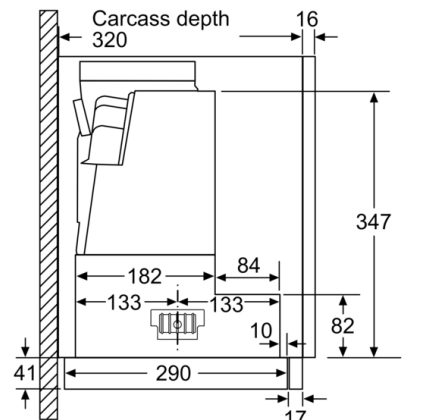
measurements in mm



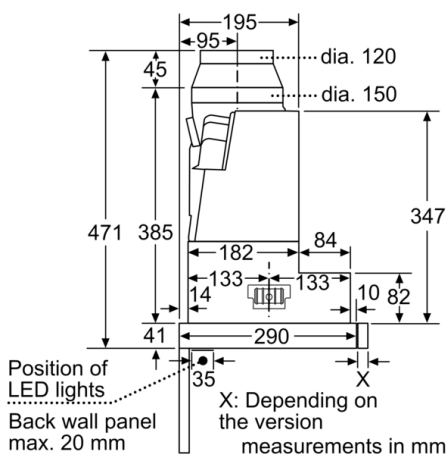
measurements in mm



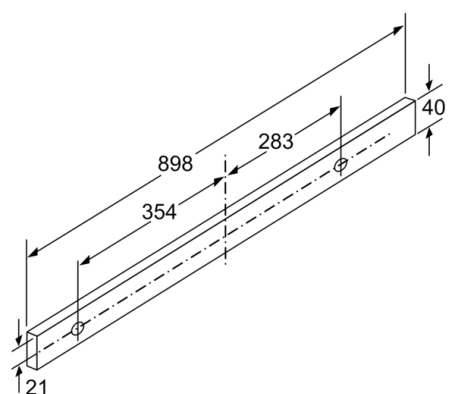
measurements in mm



measurements in mm

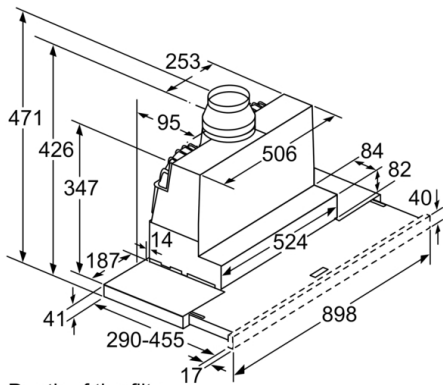


measurements in mm

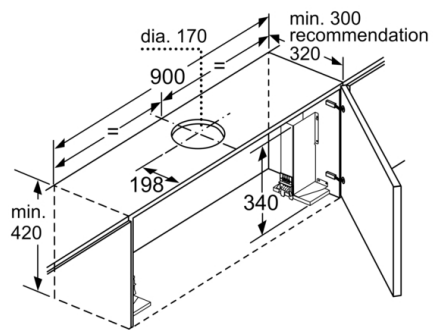


measurements in mm

**Serie | 4, Telescopic cooker hood, 90 cm,  
Silver metallic  
DFS097A50B**



Depth of the filter drawer can be adjusted by up to 29 mm  
measurements in mm



When installing the 90 cm telescopic hood in a 90 cm wide wall-hanging cupboard, a mounting kit is required. The two mounting brackets are screwed onto the left and right of the kitchen unit. Installation in accordance with template.  
measurements in mm