

**Serie | 8, Telescopic cooker hood, 60 cm, Stainless steel DFS067J50B**

**B**



**Telescopic cooker hoods extend when in use and slide neatly away when not in operation.**

- **Especially silent:** maximum hood performance, minimum noise.
- **Grease filtration level:** filters out over 85% of the grease from kitchen air.
- **EcoSilence Drive™:** the powerful, energy-saving drive for hoods.
- **LED Illumination:** The energy-saving lighting provides bright and clear lighting for the hob area.
- **Intensive speed setting:** removes strong kitchen odours quickly and effectively.

**Technical Data**

Typology : Pull-out  
 Approval certificates : CE, VDE  
 Length of electrical supply cord : 175 cm  
 Required niche size for installation (HxWxD) : 385mm x 524.0mm x 290mm mm  
 Minimum distance above an electric hob : 430 mm  
 Minimum distance above a gas hob : 650 mm  
 Net weight : 12.316 kg  
 Type of control : Electronic  
 Number of speed settings : 3-stage + 2 intensive  
 Maximum output air extraction : 381 m<sup>3</sup>/h  
 Boost position output recirculating : 628 m<sup>3</sup>/h  
 Maximum output recirculating air : 358 m<sup>3</sup>/h  
 Boost position air extraction : 677 m<sup>3</sup>/h  
 Number of lights (Stck) : 2  
 Noise level : 56 dB(A) re 1 pW  
 Diameter of air outlet : 150 / 120 mm  
 Grease filter material : Washable stainless steel  
 EAN code : 4242002918952  
 Connection rating : 146 W  
 Fuse protection : 10 A  
 Voltage : 220-240 V  
 Frequency : 60; 50 Hz  
 Plug type : GB plug  
 Installation type : Built-in

**Optional accessories**

- DSZ4561 : Standard odor filter (replacement)
- DSZ4565 : Standard recirculation kit
- DSZ4660 : Lowering frame
- DWZ0IT0P0 : Long Life odor filter (replacement)
- DWZ1IT1D1 : Long Life recirculation kit external
- DWZ1IX1B6 : Clean Air Plus odor filter (replacement)
- DWZ1IX1C6 : Clean Air Plus recirc. kit external



## Serie | 8, Telescopic cooker hood, 60 cm, Stainless steel DFS067J50B

**Telescopic cooker hoods extend when in use  
and slide neatly away when not in operation.**

### Key Information

- Electronic control via TouchControl
- Efficient BLDC technology

### Design

- 60 cm wide
- Brushed steel
- Telescopic hood
- Handle strip specification: BO-design with logo
- Installation: Cupboard 60 cm

### Features

- TouchControl with lightline
- 3 power levels and 2 intensive settings
- Automatic intensive revert (6mins)
- Automatic after running (Automatic after running (10 min))
- Additional noise reduction insulation
- Silence kit
- 2 x LED lights
- Softlight dimmer function
- Dimmer function
- Neutral white lights
- 2 removable metal grease filter cassettes
- Removable metal grease filters

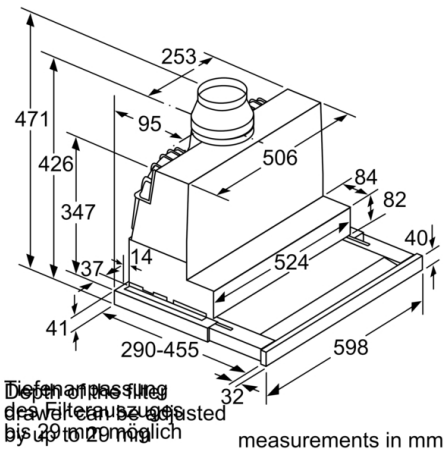
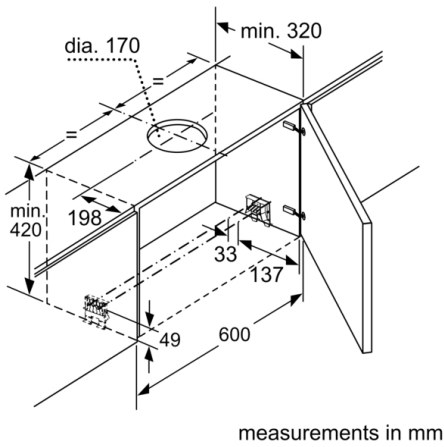
### Performance/technical information

- Installation system: Telescopic comfort installat.
- Suitable for ducted or recirculating operation
- Extraction rate according to EN 61591  $\varnothing$  15 cm:  
max. Normal use 381 m<sup>3</sup>/h  
Intensive 677 m<sup>3</sup>/h
- Extraction rate exhaust air according to EN 61591:  
max. normal use 381 m<sup>3</sup>/h, intensive 677 m<sup>3</sup>/h
- Power rating: 146 W
- Noise level according to EN 60704-3 and EN 60704-2-13  
exhaust air:  
Max. normal use: 56 dB(A) re 1 pW  
Intensive: 67 dB(A) re 1 pW
- Noise max. Normal Level: Noise, max. speed in normal us: 56  
dB dB\*
- Average Energy Consumption: 41.3 kWh/year\*
- Energy Efficiency Class: B (at a range of energy efficiency  
classes from A+++ to D)
- Blower Efficiency Class: B\*
- Lighting Efficiency Class: A\*
- Grease Filtering Efficiency Class: B\*
- Dimensions (HxWxD): 426 x 598 x 290 mm
- Dimensions exhaust air (HxWxD): 426-426 x 598 x 290 mm
- Dimensions recirculating (HxWxD): 426-426 x 598 x 290 mm
- Diameter pipe  $\varnothing$  150 mm ( $\varnothing$  120 mm enclosed)
- Light Intensity: 711 lux
- Colour Temperature: 3500 K

### Accessories

- For recirculated extraction recirculating kit or CleanAir  
recirculating kit (accessory) needed

**Serie | 8, Telescopic cooker hood, 60 cm,  
Stainless steel  
DFS067J50B**



Definieren Sie  
den Filterauslass  
so weit möglich  
by 49 mm möglich

