

Series 2, Telescopic cooker hood, 60 cm, Silver metallic DFM063W57B



Optional accessories

DSZ4682	Handle strip white
DSZ4686	Handle strip black
DWZ1IT14	Clean Air Standard recirculation kit

- **High extraction rate - for continuously clean air in the kitchen.**
- **Quiet extraction with powerful performance**
- **LED Illumination:** The energy-saving lighting provides bright and clear lighting for the hob area.
- **Dishwasher safe metal grease filter**
- **Ducted or un-ducted options:** Flexibility to install our hoods in both ducted and un-ducted options.

Technical Data

Typology:	Pull-out
Length electrical supply cord:	175 cm
Required niche size for installation (HxWxD): ...	162mm x 526.0mm x 290mm mm
Height of the appliance:	203 mm
Minimum distance above an electric hob:	430 mm
Minimum distance above a gas hob:	650 mm
Net weight:	8.5 kg
Type of control:	Mechanical
Number of speed settings:	2
Max. air extraction:	351 m ³ /h
Max. air recirculation:	220 m ³ /h
Maximum Air flow:	351 m ³ /h
Number of lights:	2
Noise level:	65 dB(A) re 1pW
Diameter of air outlet:	150 mm
Grease filter material:	Washable aluminium
EAN code:	4242005538072
Connection rating:	93 W
Fuse protection:	10 A
Voltage:	220-240 V
Frequency:	50 Hz
Plug type:	GB plug
Installation typology:	Built-in



4 242005 538072

Series 2, Telescopic cooker hood, 60 cm, Silver metallic DFM063W57B

Design:

- Telescopic hood
- Installation: Cupboard 60 cm
- Suitable for ducted or recirculating operation

Core Features:

- Capacitor motor
- 2 x 1,5W LED
- Colour Temperature: 3500 K
- Light Intensity: 131 lux
- 2 metal grease filter(s).

Comfort Features:

- Rocker switch control for extractor speeds and light
- 2 power levels

Cleaning Comfort:

- Removable metal grease filters dishwasher-safe

Performance Exhaust:

- According to EN 61591 and EN/ IEC 60704-2-13 your appliance can achieve the following values in exhaust mode:
- Speed 1: extraction rate 276 m³/h; noise level 61 dB(A) re1pW
- Speed 2: extraction rate 351 m³/h ; noise level 65 dB (A) re1pW
- Energy Efficiency Class: C (at a range of energy efficiency classes from A+++ to D)
- Average Energy Consumption: 43.5 kWh/year*
- Blower Efficiency Class: D*
- Lighting Efficiency Class: A*
- Grease Filtering Efficiency Class: C*

Performance Recirculation:

- For recirculated extraction recirculating kit (accessory) needed
- According to EN 61591 and EN/ IEC 60704-2-13 your appliance can achieve the following values in recirculation mode with standard recirculation kit (available as optional accessory): Speed 1: extraction rate 190 m³/h; noise level 66 dB(A) re1pW
- Speed 2: extraction rate 220 m³/h; noise level 69 dB (A) re1pW

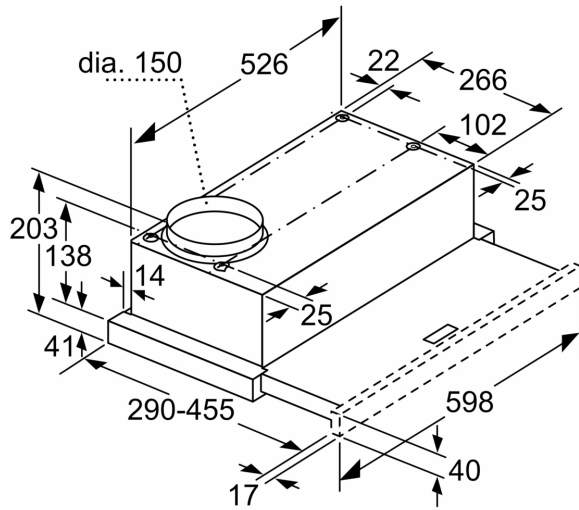
Technical Information and Sustainability:

- Consumption data:
- Power rating: 93 W
- Voltage: Nominal voltage: 220 - 240 V
- Sustainability:
- Made in Germany: produced at a CO₂ neutral production site

Planning and Installation Information:

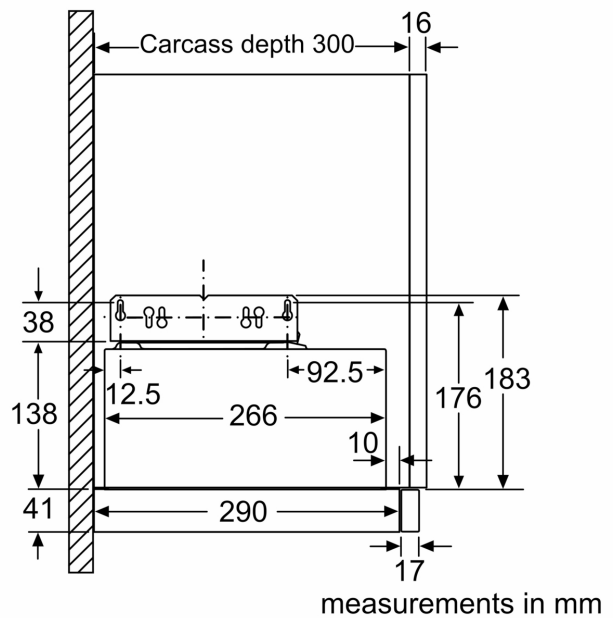
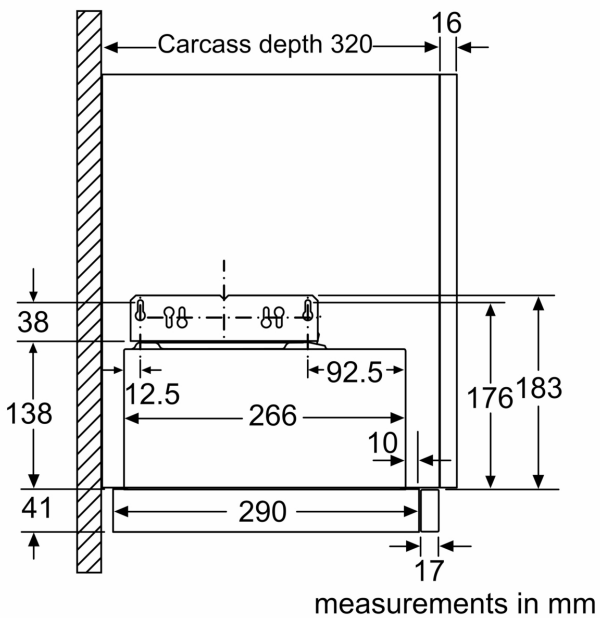
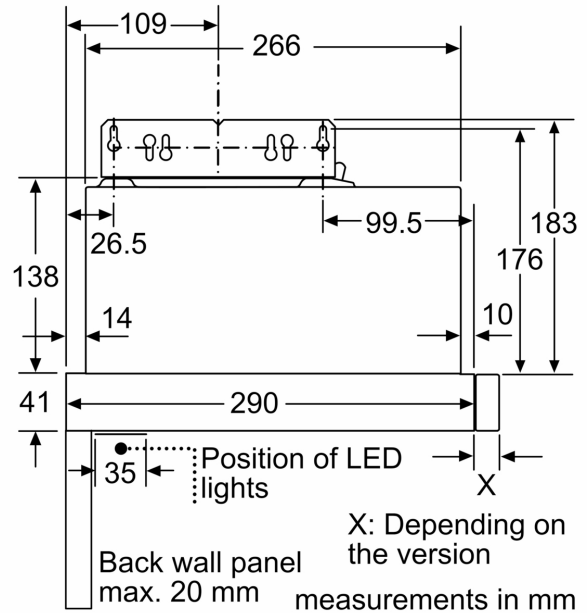
- Dimensions (HxWxD): 203 x 598 x 290 mm
- Built-in dimensions (HxWxD): 162 x 526 x 290 mm
- Electrical cable length 1.75 m
- Diameter pipe Ø 150 mm
- Handle strip specification: stainless steel with logo

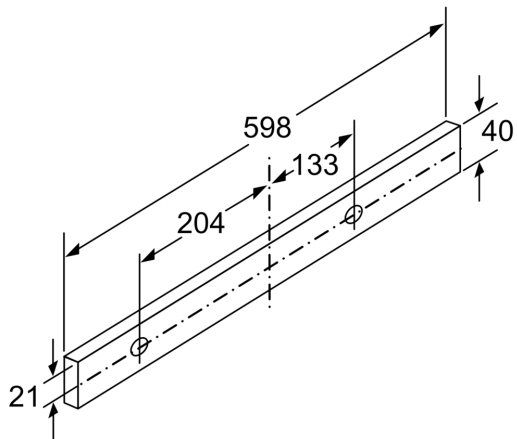
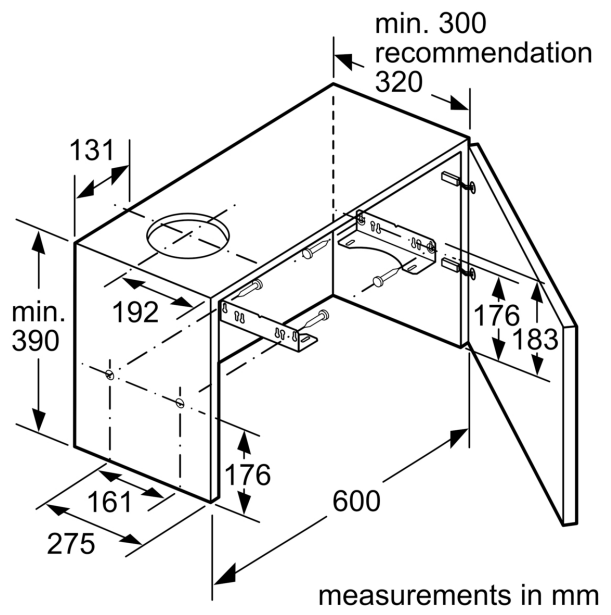
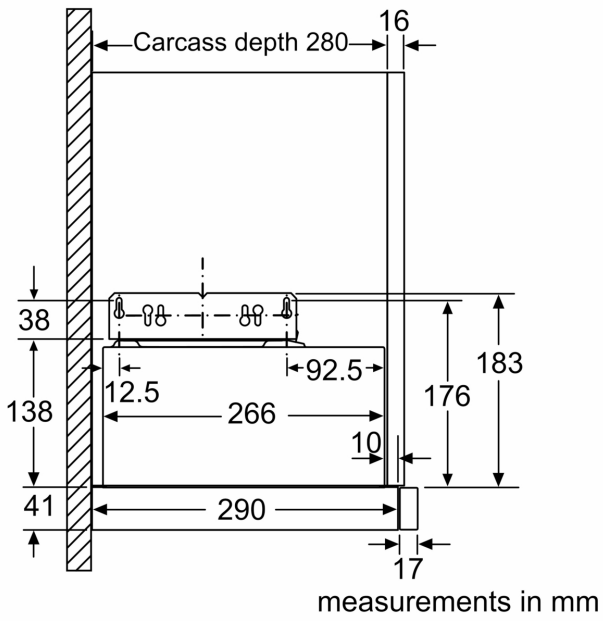
Series 2, Telescopic cooker hood, 60 cm, Silver metallic
DFM063W57B



Not possible to adjust the depth of the filter pull-out

measurements in mm





measurements in mm