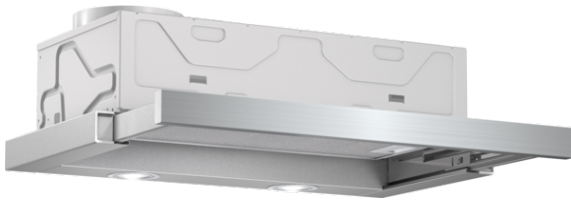


**Serie | 2, Telescopic cooker hood, 60 cm, Silver metallic
DFM063W50B**

Telescopic cooker hoods extend when in use and slide neatly away when not in operation.



Technical Data

Typology :	Pull-out
Approval certificates :	CE, G-Mark, VDE
Length of electrical supply cord (cm) :	175
Required niche size for installation (HxWxD) :	162mm x 526.0mm x 290mm
Minimum distance above an electric hob :	430
Minimum distance above a gas hob :	650
Net weight (kg) :	8.386
Type of control :	mechanical
Number of speed settings :	2
Maximum output air extraction (m3/h) :	331
Number of lights (Stck) :	2
Noise level (dB(A) re 1 pW) :	64
Diameter of air outlet (mm) :	150 / 120
Grease filter material :	Washable aluminium
EAN code :	4242002918310
Connection rating (W) :	130
Current (A) :	10
Voltage (V) :	220-240
Frequency (Hz) :	50
Plug type :	GB plug
Installation type :	Built-in

Optional accessories

- DSZ4545 : Standard recirculation kit
- DSZ4551 : Standard odor filter (replacement)
- DSZ4656 : Handle strip black



4 242002 918310

Serie | 2, Telescopic cooker hood, 60 cm, Silver metallic DFM063W50B

**Telescopic cooker hoods extend when in use
and slide neatly away when not in operation.**

Key Information

- Mechanical

Design

- 60 cm wide
- Silver metallic lacquer
- Telescopic hood
- Stainless Steel fascia panel
- For installation into a 60cm wide cupboard

Features

- 2 power levels
- 2 x halogen lights
- Warm white lights
- 1 removable metal grease filter cassette
- Removable metal grease filters

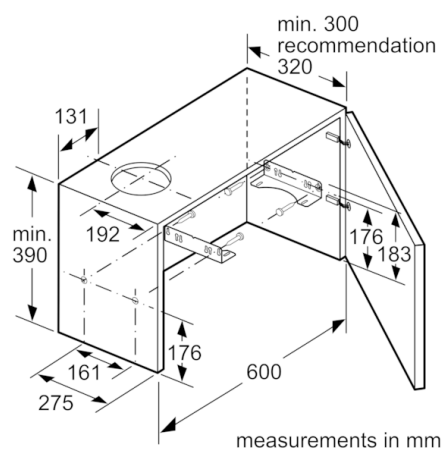
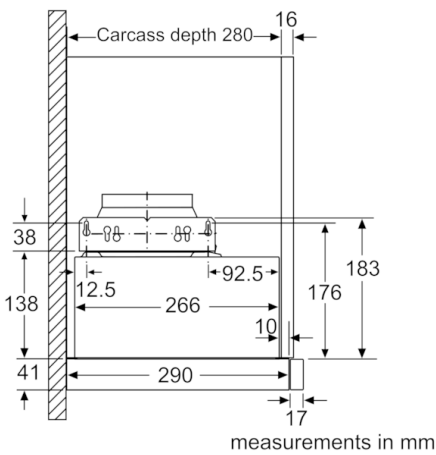
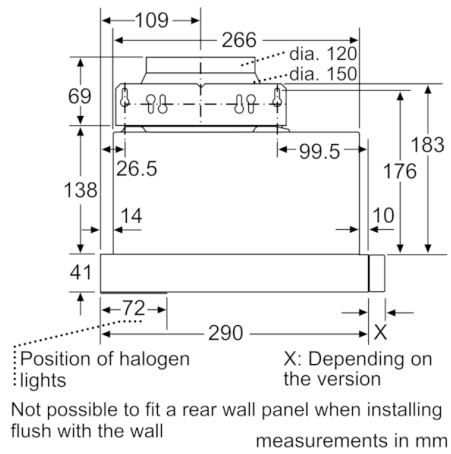
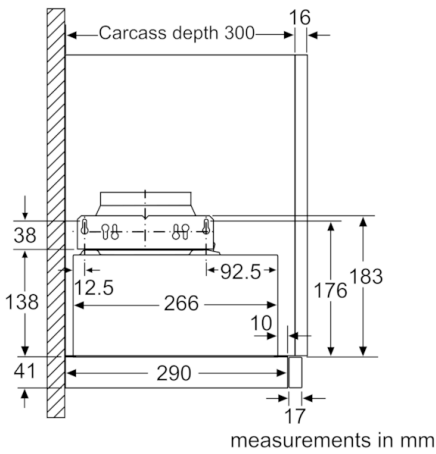
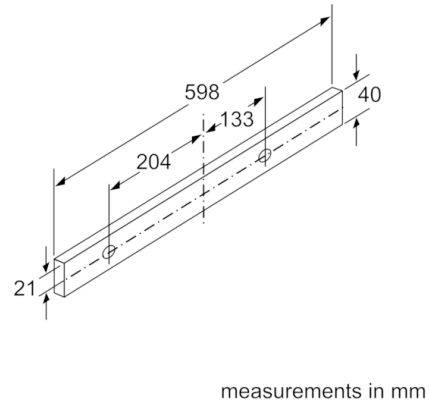
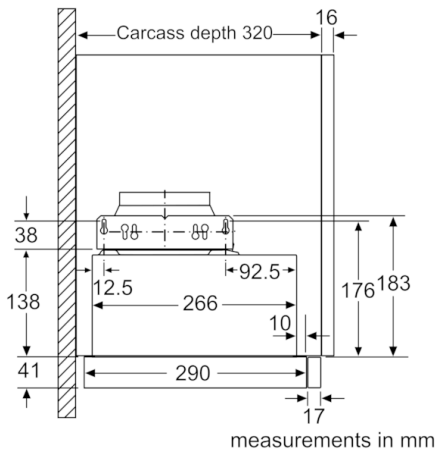
Performance/technical information

- Telescopic standard installation
- Suitable for ducted or recirculating operation
- Power rating: 130 W
- Noise max. Normal Level: Noise, max. speed in normal us: 64 dB dB*
- Average Energy Consumption: 68.2 kWh/year*
- Energy Efficiency Class: D (at a range of energy efficiency classes from A+++ to D)
- Blower Efficiency Class: D*
- Lighting Efficiency Class: E*
- Grease Filtering Efficiency Class: C*
- Dimensions (HxWxD): 203 x 598 x 290 mm
- Dimensions exhaust air (HxWxD): 203-203 x 598 x 290 mm
- Dimensions recirculating (HxWxD): 203-203 x 598 x 290 mm
- Diameter pipe Ø 150 mm (Ø 120 mm enclosed)
- Light Intensity: 383 lux
- Colour Temperature: 2700 K

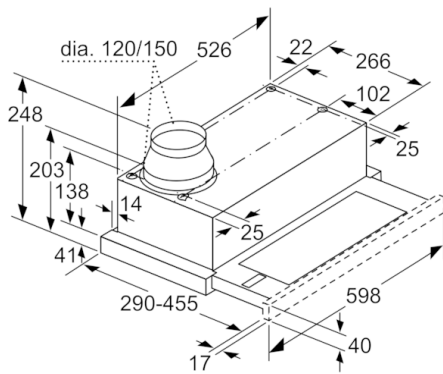
Accessories

- For recirculated extraction recirculating kit (accessory) needed

**Serie | 2, Telescopic cooker hood, 60 cm,
Silver metallic
DFM063W50B**



**Serie | 2, Telescopic cooker hood, 60 cm,
Silver metallic
DFM063W50B**



Not possible to adjust the depth of the
filter pull-out
measurements in mm