

Series 6, Integrated Design Hood, 90 cm, clear glass black printed, Matt black DBB97DP60B



Optional accessories

DWZ1IB1J6	Long-life Clean Air recirculation kit
DWZ1IB6K2	Chimney extension 450-854 mm
DWZ1IB6N2	Chimney extension 187-360 mm

- **Matt Design:** elegant carbon black matt finish with reduced fingerprint visibility.
- **Maximum storage space:** the T-shaped design offers lots of space and up to 20kg load capacity.
- **Extremely silent and high performant:** the hood ensures a quiet and powerful cooking experience.
- **Smart Hood Automatic:** adjusts the fan speed based on hob* settings for stress-free cooking. ¹
- **Glass panel with DirectSelect:** easy touch control and furniture protection.

Technical Data

Typology:	Built-in/Built-under
Length electrical supply cord:	130 cm
Required niche size for installation (HxWxD):	... 340mm x 860.0mm x 300mm mm
Height of the appliance:	60 mm
Minimum distance above an electric hob:	430 mm
Minimum distance above a gas hob:	650 mm
Net weight:	12.0 kg
Type of control:	Electronic
Number of speed settings:	3-stages + intensive setting
Max. air extraction:	433 m ³ /h
Boost position output recirculating:	556.0 m ³ /h
Max. air recirculation:	413 m ³ /h
Boost position air extraction:	699 m ³ /h
Maximum Air flow:	433 m ³ /h
Number of lights:	2
Noise level:	57 dB(A) re 1pW
Diameter of air outlet:	150 mm
Grease filter material:	Washable stainless steel
EAN code:	4242005530328
Connection rating:	115 W
Voltage:	220-240 V
Frequency:	50 Hz
Plug type:	GB plug
Installation typology:	Built-in



¹ Some of the features displayed can be accessed only if the device is connected to a Home Connect Account and a SingleKey ID account via the Internet. Home Connect is a service of Home Connect GmbH. For more information on Home Connect, visit www.home-connect.com.

Series 6, Integrated Design Hood, 90 cm, clear glass black printed, Matt black DBB97DP60B

Design:

- Installation in a wall cupboard
- Flush-fitted installation for a seamless integration in wall cupboards.
- Glass panel: clear glass black printed
- Enlarged storage space: max. 10 kg capacity on each hood side
- Suitable for ducted or recirculating operation

Core Features:

- Efficient BLDC technology
- 2 x LED 3W with Colour temperature adjustable
- Softlight dimmer function : the lighting elements switch on and off smoothly.
- Dimmer function : the brightness of the lighting elements can be adjusted.
- Colour Temperature: 3500 K
- Light Intensity: 437 lux
- 2 metal grease filter(s).

Comfort Features:

- Glass panel with touch control for an easy operation and enhanced vapor capture.
- Cupboard protection: additional side and rear protection against vapour
- Extraction and lighting are automatically turned on and off by opening and closing the glass panel.
- Touch Light: independently turn the light on or off when the glass panel is closed, by tapping on control area
- DirectSelect control backlit
- 3 power levels & intensive setting
- Automatic reset from intensive to normal setting after 6 min
- Automatic after running (10 min)

Digital Features:

- Home Connect: operate, monitor and set preferences of your hood via smartphone or tablet (only in countries where Home Connect service is available)
- Hob based hood control: automatically activates the hood when cooking, thanks to the WiFi connection of hood and suitable hob.
- Smart Hood Automatic: Hood automatically adapts fan speed thanks to hob continuously providing cooking data (works with all current Series 6 induction hobs; for other Home Connect hobs, the hood can be controlled directly from the hob, provided a connected Home Connect account is available)
- Voice Control enabled via popular voice assistants (only in countries where this service is available)
- Performance Profiles: choose between standard, performance or silence profiles to increase the extraction rate or reduce the fan noise via Home Connect App
- Favourite Button: directly access favourite functions with a configurable button (available with connected Home Connect account).
- Smart home trigger, via Favourite button (available with connected Home Connect account): open up the smart universe from your hood (partner service required).

- LED light with adjustable light temperature: Allows you to adapt the light temperature to your personal needs via Home Connect App
- Saturation indicator, set and reset function for grease filter and odor filter available via Home Connect app.
- After run function: available via Home Connect App
- Interval function: available via Home Connect App
- The Home Connect functionality can be extended by integrating numerous applications from external cooperation partners (partnerships)
- Updateable appliance (available with connected Home Connect account): keep appliance always up to date with latest status of software.

Cleaning Comfort:

- Easy to clean smooth surfaces and materials.
- Removable metal grease filters dishwasher-safe
- Coated surfaces for less fingerprint sensitivity

Exhaust Mode:

- According to EN 61591 and EN/ IEC 60704-2-13 your appliance can achieve the following values in exhaust mode: Speed 1: extraction rate 244 m3/h; noise level 42 dB (A) re1pW Speed 2: extraction rate 339 m3/h; noise level 50 dB (A) re1pW Speed 3: extraction rate 433 m3/h; noise level 57 dB (A) re1pW Intensive 1: extraction rate 699 m3/h; noise level 68 dB (A) re1pW
- Energy Efficiency Class: A+ (at a range of energy efficiency classes from A+++ to D)
- Average Energy Consumption: 27.2 kWh/year*
- Blower Efficiency Class: A*
- Lighting Efficiency Class: A*
- Grease Filtering Efficiency Class: B*

Recirculation Mode:

- For recirculation operation Long-life Clean Air recirculation kit (accessory) needed
- The Long-life Clean Air odour filter absorbs intense odours, such as fish, as well as pollen. The lifetime can be extended up to 4 times by refreshing the filter in the oven
- According to EN 61591 and EN/ IEC 60704-2-13 your appliance can achieve the following values in recirculation mode with Long-life Clean Air recirculation kit (available as optional accessory):
- Speed 1: extraction rate 231 m3/h; noise level 53 dB(A) re1pW
- Speed 2: extraction rate 329 m3/h; noise level 61 dB(A) re1pW
- Speed 3: extraction rate 413 m3/h; noise level 66 dB(A) re1pW
- Intensive Speed 1: extraction rate 556 m3/h; noise level 72 dB (A) re1pW

Technical Information and Sustainability:

- Consumption data:
- Power rating: 115 W
- Voltage: Nominal voltage: 220 - 240 V
- Sustainability:
- Made in Germany: produced at a CO2 neutral production site
- Environmentally friendly packaging
- Most efficient blower technology available on the market
- Available Long-life Clean Air odour filter with extended lifetime up to 4 times
- Smart Hood Automatic for best results with minimum energy consumption

Planning and Installation Information:

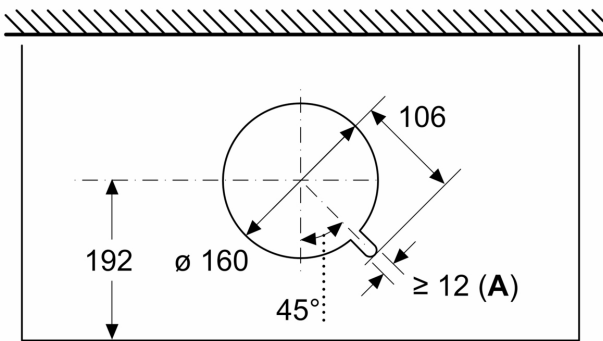
- Installation: Cupboard 90 cm

- Installation system: IDH comfort installation
- Appliance dimensions (HxWxD): 340 x 898 x 298 mm
- Built-in dimensions (HxWxD): min. 340 mm x 860 mm x min. 300 mm
- Enclosed spacers for installation in wall cupboards with maximum depth of up to 360mm.
- For installation in higher wall cupboards chimney extensions are available as optional accessories.
- Diameter pipe Ø 150 mm
- Electrical cable length 1.3 m

test

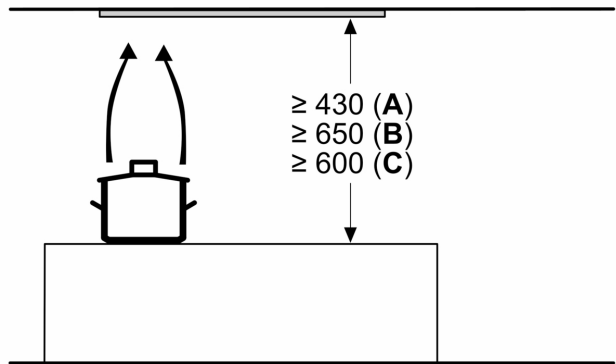
**Series 6, Integrated Design Hood, 90 cm, clear glass black printed, Matt black
DBB97DP60B**

Measurements in mm
View from above



A: Cable bushing

Measurements in mm

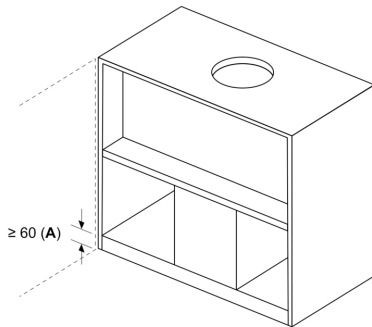


A: Electric

B: Gas - from upper edge of pan support

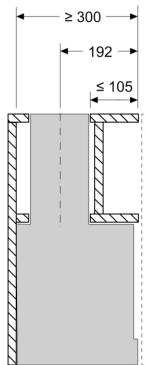
C: Electric - for Australia and New Zealand

Measurements in mm
Installation example with spice rack

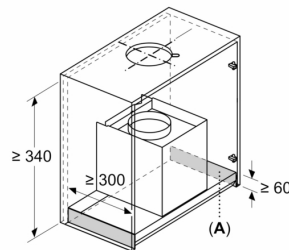


A: Area without hinges

Installation example in cupboards with crossbar, if installation with chimney extension (other accessories) not possible



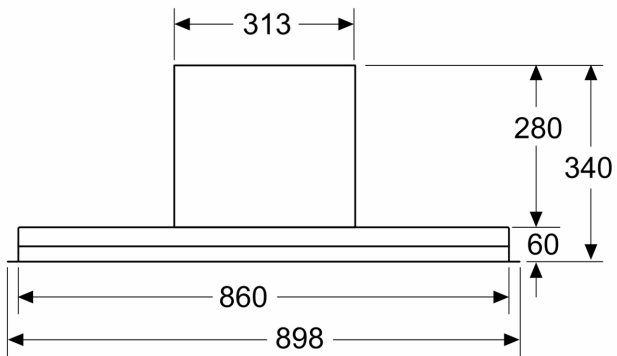
Measurements in mm
Installation requirements for replacement business



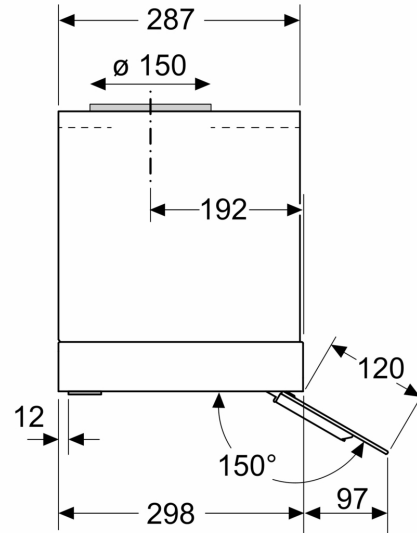
A: Area without hinges

Installation requirements for replacing existing built-in hood solutions with integrated design hood without replacing the cupboard

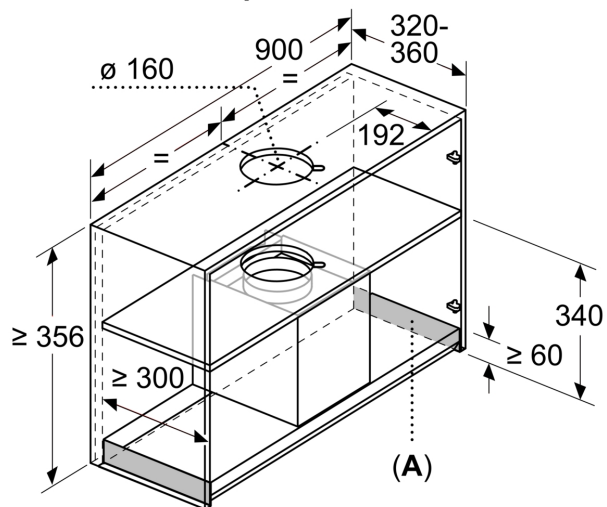
Measurements in mm
Front view



Measurements in mm
Side view

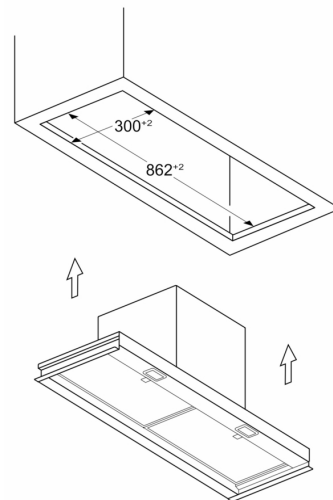


Measurements in mm
Installation example



A: Area without hinges

Measurements in mm
Installation example in furniture cut-out



Measurements in mm

