

Series 2, Integrated Design Hood, 80 cm, Matt black DBB83BC60B



Optional accessories

DWZ1B1I6	Long-life Clean Air recirculation kit
DWZ1B6K2	Chimney extension 450-854 mm
DWZ1B6N2	Chimney extension 187-360 mm

- **Matt Design:** elegant carbon black matt finish with reduced fingerprint visibility.
- **Maximum storage space:** the T-shaped design offers lots of space and up to 20kg load capacity.
- **Quiet extraction with powerful performance**
- **Push button control:** simple and convenient adjustment of your hood settings.
- **Seamless integration:** flush-mounted installation for a sleek, almost invisible appearance.

Technical Data

Typology:	Built-in/Built-under
Length electrical supply cord:	130 cm
Required niche size for installation (HxWxD):	... 340mm x 760.0mm x 300mm mm
Height of the appliance:	60 mm
Minimum distance above an electric hob:	430 mm
Minimum distance above a gas hob:	650 mm
Net weight:	7.9 kg
Type of control:	Mechanical
Number of speed settings:	3
Max. air extraction:	384 m ³ /h
Max. air recirculation:	291 m ³ /h
Maximum Air flow:	384 m ³ /h
Number of lights:	2
Noise level:	65 dB(A) re 1pW
Diameter of air outlet:	150 mm
Grease filter material:	Washable stainless steel
EAN code:	4242005527359
Connection rating:	100 W
Voltage:	220-240 V
Frequency:	50 Hz
Plug type:	GB plug
Installation typology:	Built-in



Series 2, Integrated Design Hood, 80 cm, Matt black DBB83BC60B

Design:

- Installation in a wall cupboard
- Flush-fitted installation for a seamless integration in wall cupboards.
- Enlarged storage space: max. 10 kg capacity on each hood side
- Suitable for ducted or recirculating operation

Core Features:

- Shaded-pole motor
- 2 x LED 1.5W
- Colour Temperature: 3500 K
- Light Intensity: 290 lux
- 2 metal grease filter(s).

Comfort Features:

- Cupboard protection: additional side and rear protection against vapour
- Push button control for extractor speeds and light
- 3 power levels

Cleaning Comfort:

- Easy to clean smooth surfaces and materials.
- Removable metal grease filters dishwasher-safe
- Coated surfaces for less fingerprint sensitivity

Exhaust Mode:

- According to EN 61591 and EN/ IEC 60704-2-13 your appliance can achieve the following values in exhaust mode:
- Speed 1: extraction rate 174 m³/h; noise level 49 dB(A) re1pW
- Speed 2: extraction rate 246 m³/h; noise level 57 dB(A) re1pW
- Speed 3: extraction rate 384 m³/h; noise level 65 dB (A) re1pW
- Energy Efficiency Class: D (at a range of energy efficiency classes from A+++ to D)
- Average Energy Consumption: 56.1 kWh/year*
- Blower Efficiency Class: E*
- Lighting Efficiency Class: A*
- Grease Filtering Efficiency Class: B*

Recirculation Mode:

- For recirculation operation Long-life Clean Air recirculation kit (accessory) needed
- The Long-life Clean Air odour filter absorbs intense odours, such as fish, as well as pollen. The lifetime can be extended up to 4 times by refreshing the filter in the oven
- According to EN 61591 and EN/ IEC 60704-2-13 your appliance can achieve the following values in recirculation mode with Long-life Clean Air recirculation kit (available as optional accessory):
- Speed 1: extraction rate 140 m³/h; noise level 49 dB(A) re1pW
- Speed 2: extraction rate 212 m³/h; noise level 59 dB(A) re1pW
- Speed 3: extraction rate 291 m³/h; noise level 66 dB (A) re1pW

Technical Information and Sustainability:

- Consumption data:
- Power rating: 100 W
- Voltage: Nominal voltage: 220 - 240 V
- Sustainability:

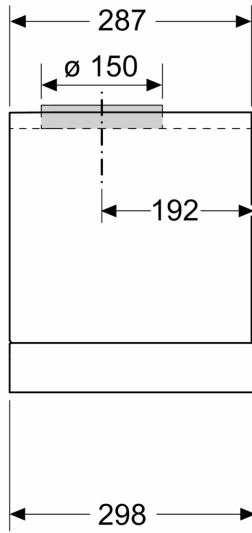
- Made in Germany: produced at a CO₂ neutral production site
- Environmentally friendly packaging
- Available Long-life Clean Air odour filter with extended lifetime up to 4 times

Planning and Installation Information:

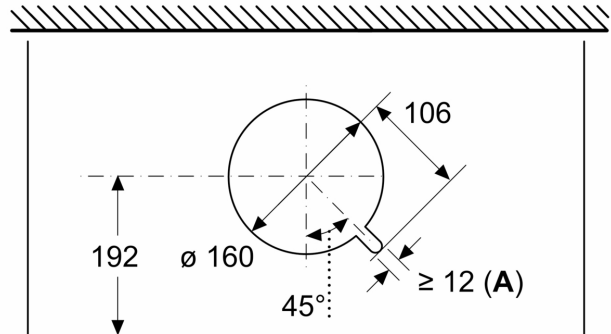
- Installation: Cupboard 80 cm
- Installation system: IDH comfort installation
- Appliance dimensions (HxWxD): 340 x 798 x 298 mm
- Built-in dimensions (HxWxD): min. 340 mm x 760 mm x min. 300 mm
- Enclosed spacers for installation in wall cupboards with maximum depth of up to 360mm.
- For installation in higher wall cupboards chimney extensions are available as optional accessories.
- Diameter pipe Ø 150 mm
- Electrical cable length 1.3 m

**Series 2, Integrated Design Hood, 80 cm, Matt black
DBB83BC60B**

Measurements in mm
Side view

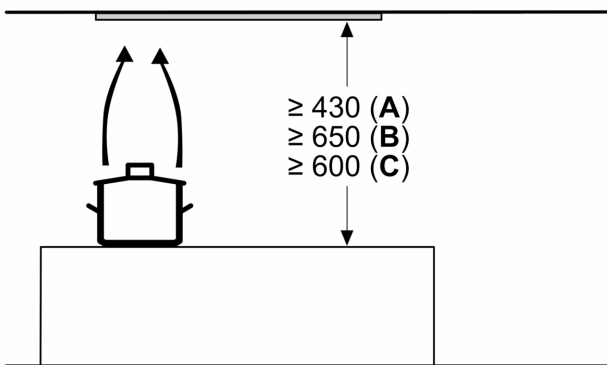


Measurements in mm
View from above



A: Cable bushing

Measurements in mm

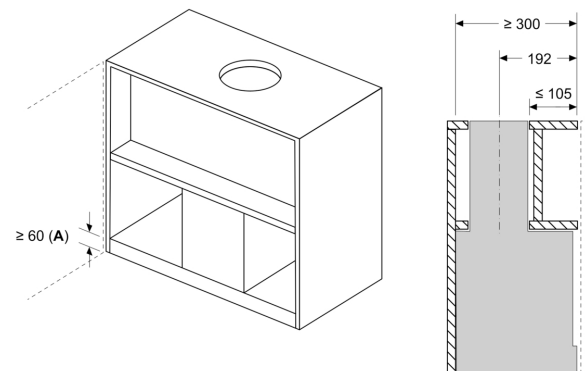


A: Electric

B: Gas - from upper edge of pan support

C: Electric - for Australia and New Zealand

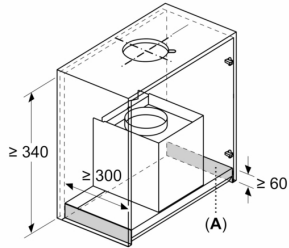
Measurements in mm
Installation example with spice rack



A: Area without hinges

Installation example in cupboards with crossbar, if installation with chimney extension (other accessories) not possible

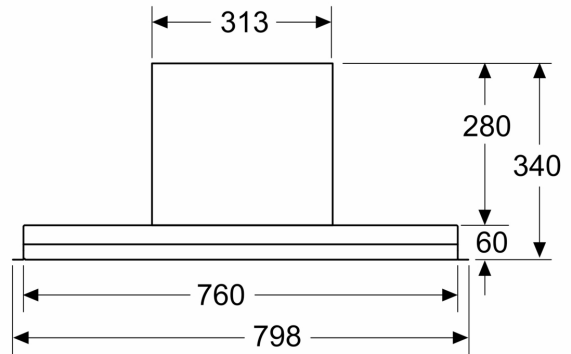
Measurements in mm
Installation requirements for replacement
business



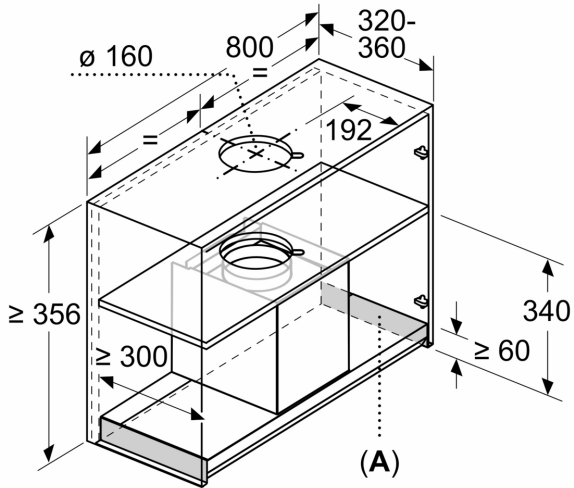
A: Area without hinges

Installation requirements for replacing existing
built-in hood solutions with integrated design
hood without replacing the cupboard

Measurements in mm
Front view

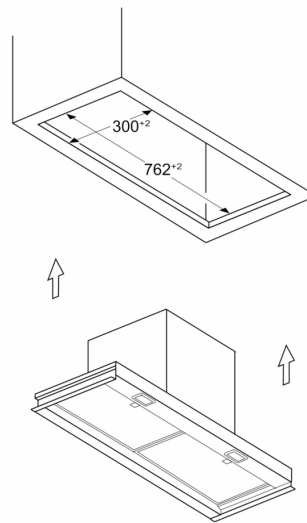


Measurements in mm
Installation example

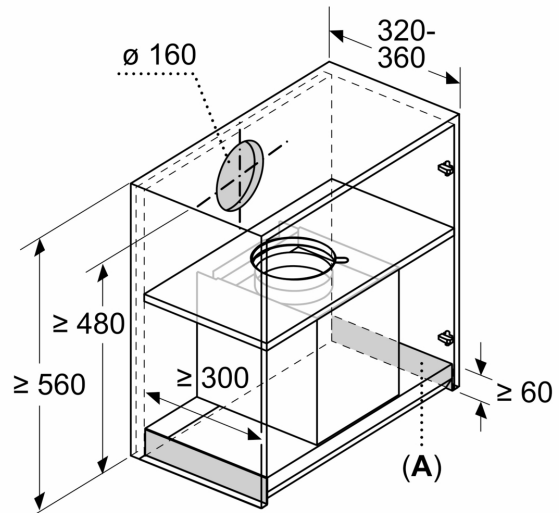


A: Area without hinges

Measurements in mm
Installation example in furniture cut-out



Measurements in mm



A: Area without hinges