

## Series 2, Integrated Design Hood, 60 cm, Matt black DBB63BC60B



### Optional accessories

DWZ1IB1B6	Long-life Clean Air odor filter (repl.)
DWZ1IB1I6	Long-life Clean Air recirculation kit
DWZ1IB6K2	Chimney extension 450-854 mm
DWZ1IB6N2	Chimney extension 187-360 mm

- **Matt Design:** elegant carbon black matt finish with reduced fingerprint visibility.
- **Maximum storage space:** the T-shaped design offers lots of space and up to 20kg load capacity.
- **Quiet extraction with powerful performance**
- **Push button control:** simple and convenient adjustment of your hood settings.
- **Seamless integration:** flush-mounted installation for a sleek, almost invisible appearance.

### Technical Data

Typology:	Built-in/Built-under
Length electrical supply cord:	130 cm
Required niche size for installation (HxWxD):	... 340mm x 560.0mm x 300mm mm
Height of the appliance:	60 mm
Minimum distance above an electric hob:	430 mm
Minimum distance above a gas hob:	650 mm
Net weight:	7.2 kg
Type of control:	Mechanical
Number of speed settings:	3
Max. air extraction:	384 m <sup>3</sup> /h
Max. air recirculation:	291 m <sup>3</sup> /h
Maximum Air flow:	384 m <sup>3</sup> /h
Number of lights:	2
Noise level:	65 dB(A) re 1pW
Diameter of air outlet:	150 mm
Grease filter material:	Washable stainless steel
EAN code:	4242005530212
Connection rating:	100 W
Voltage:	220-240 V
Frequency:	50 Hz
Plug type:	GB plug
Installation typology:	Built-in



## Series 2, Integrated Design Hood, 60 cm, Matt black DBB63BC60B

### Design:

- Installation in a wall cupboard
- Flush-fitted installation for a seamless integration in wall cupboards.
- Enlarged storage space: max. 10 kg capacity on each hood side
- Suitable for ducted or recirculating operation

### Core Features:

- Shaded-pole motor
- 2 x LED 1.5W
- Colour Temperature: 3500 K
- Light Intensity: 316 lux
- 2 metal grease filter(s).

### Comfort Features:

- Cupboard protection: additional side and rear protection against vapour
- Push button control for extractor speeds and light
- 3 power levels

### Cleaning Comfort:

- Easy to clean smooth surfaces and materials.
- Removable metal grease filters dishwasher-safe
- Coated surfaces for less fingerprint sensitivity

### Exhaust Mode:

- According to EN 61591 and EN/ IEC 60704-2-13 your appliance can achieve the following values in exhaust mode:
- Speed 1: extraction rate 174 m<sup>3</sup>/h; noise level 49 dB(A) re1pW
- Speed 2: extraction rate 246 m<sup>3</sup>/h; noise level 57 dB(A) re1pW
- Speed 3: extraction rate 384 m<sup>3</sup>/h; noise level 65 dB (A) re1pW
- Energy Efficiency Class: D (at a range of energy efficiency classes from A+++ to D)
- Average Energy Consumption: 56.1 kWh/year\*
- Blower Efficiency Class: E\*
- Lighting Efficiency Class: A\*
- Grease Filtering Efficiency Class: B\*

### Recirculation Mode:

- For recirculation operation Long-life Clean Air recirculation kit (accessory) needed
- The Long-life Clean Air odour filter absorbs intense odours, such as fish, as well as pollen. The lifetime can be extended up to 4 times by refreshing the filter in the oven
- According to EN 61591 and EN/ IEC 60704-2-13 your appliance can achieve the following values in recirculation mode with Long-life Clean Air recirculation kit (available as optional accessory):
- Speed 1: extraction rate 140 m<sup>3</sup>/h; noise level 49 dB(A) re1pW
- Speed 2: extraction rate 212 m<sup>3</sup>/h; noise level 59 dB(A) re1pW
- Speed 3: extraction rate 291 m<sup>3</sup>/h; noise level 66 dB (A) re1pW

### Technical Information and Sustainability:

- Consumption data:
- Power rating: 100 W
- Voltage: Nominal voltage: 220 - 240 V
- Sustainability:

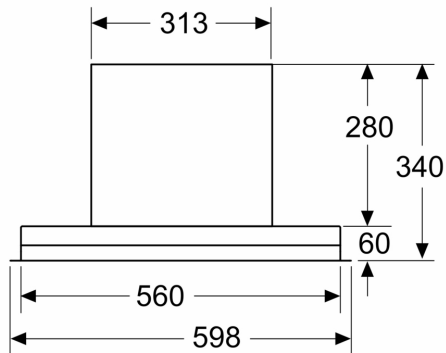
- Made in Germany: produced at a CO<sub>2</sub> neutral production site
- Environmentally friendly packaging
- Available Long-life Clean Air odour filter with extended lifetime up to 4 times

### Planning and Installation Information:

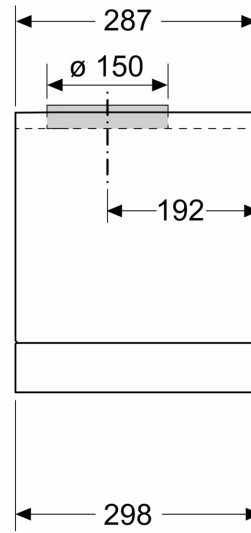
- Installation: Cupboard 60 cm
- Installation system: IDH comfort installation
- Appliance dimensions (HxWxD): 340 x 598 x 298 mm
- Built-in dimensions (HxWxD): min. 340 mm x 560 mm x min. 300 mm
- Enclosed spacers for installation in wall cupboards with maximum depth of up to 360mm.
- For installation in higher wall cupboards chimney extensions are available as optional accessories.
- Diameter pipe Ø 150 mm
- Electrical cable length 1.3 m

**Series 2, Integrated Design Hood, 60 cm, Matt black  
DBB63BC60B**

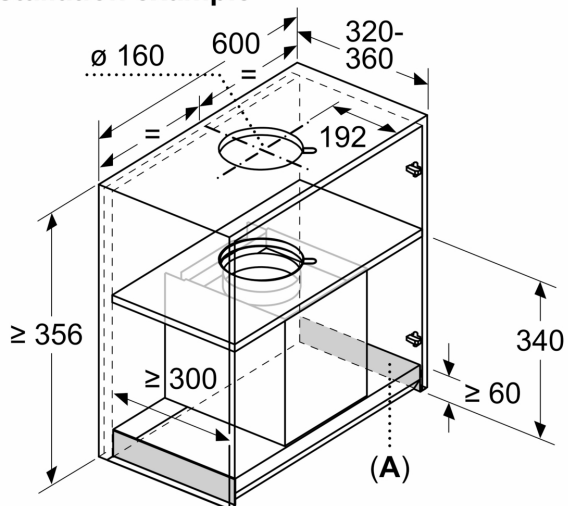
Measurements in mm  
**Front view**



Measurements in mm  
**Side view**

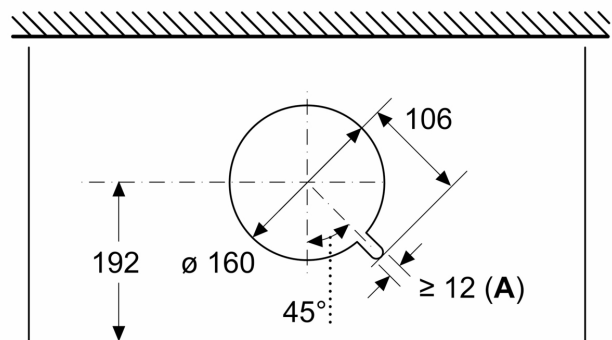


Measurements in mm  
**Installation example**



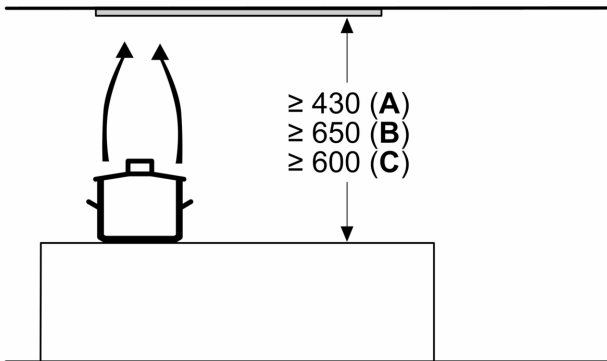
**A:** Area without hinges

Measurements in mm  
**View from above**



**A:** Cable bushing

### Measurements in mm

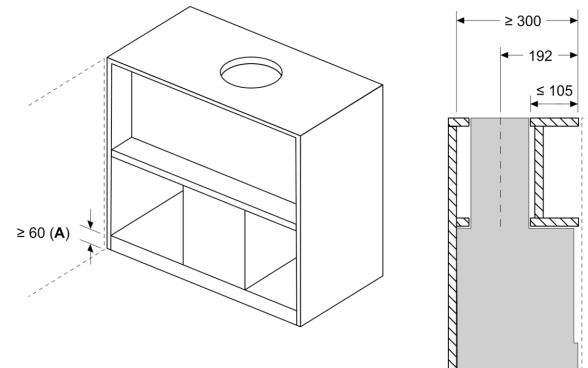


**A:** Electric

**B:** Gas - from upper edge of pan support

**C:** Electric - for Australia and New Zealand

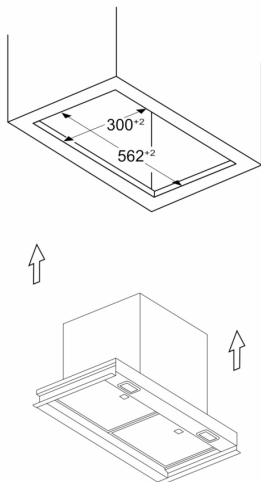
### Measurements in mm Installation example with spice rack



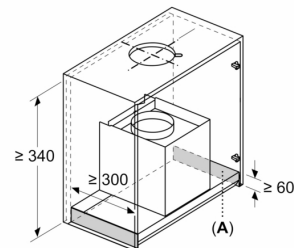
**A:** Area without hinges

Installation example in cupboards with crossbar, if installation with chimney extension (other accessories) not possible

### Measurements in mm Installation example in furniture cut-out



### Measurements in mm Installation requirements for replacement business



**A:** Area without hinges

Installation requirements for replacing existing built-in hood solutions with integrated design hood without replacing the cupboard

Measurements in mm

