

Series 8, Built-in fully automatic coffee machine, Black CTL7181B0



- **TFT-touchdisplay Pro:** Smooth slide and touch display for comfortable operation.
- **CoffeeWorld:** Discover the delicious taste of international coffee specialties.
- **Favorites:** Save up to 30 individual coffee preferences.
- **AromaSelect:** The perfect aroma profile for every individual taste.
- **AutoMilk Clean:** Automatic steam cleaning after every beverage for a properly cleaned milk system.

Technical Data

Built-in / Free-standing:	Built-in
Frothing nozzle:	No
Display:	No
Water protection system:	No
Portion sizes:	All cups
Dimensions:	455 x 594 x 385 mm
Dimensions of the packed product (HxWxD):	540 x 550 x 670 mm
Min. required niche size for installation (HxWxD):	449 x 558 x 376 mm
EAN code:	4242005310340
Fuse protection:	10 A
Voltage:	220-240 V
Frequency:	50/60 Hz
Plug type:	Gardy plug w/ earthing

Optional accessories

TCZ7003	Accessories small appliances
TCZ7033	Water filter
TCZ8001A	Cleaning tablets
TCZ8002A	Descaling tablets
TCZ8004A	Care set espresso
Y988081300 :	
Y988081302 :	
Y988081303 :	
Y988081012 :	



4 242005 310340

Series 8, Built-in fully automatic coffee machine, Black CTL7181B0

Flavour

- up to 29 different coffee specialties (within appliance and Home Connect app)
- warm milk, milk froth and hot water function
- aromaSelect – 3 different aroma profiles (mild-balanced-distinctive)
- adjustable milk ratio for classic milk-mix beverages
- intelligent strength adjustment – adaptive coffee management based on strength and size
- aromaDouble Shot – less bitterness in large beverages due to two brewing processes

Convenience

- TFT-Touchdisplay Pro - 6.8" TFT- color display with touch and slide functionality
- Favorites: save up to 30 personalised beverages
- height adjustable beverage outlet (up to 15 cm (max) high glasses)
- oneTouch DoubleCup – get two cups at the touch of a button
- 2.4 l removable water tank

Performance

- ceramDrive – high-quality grinder made of wear-resistant ceramic
- water pump with 19 bar pressure

Hygiene

- autoMilk Clean – automatic steam cleaning after every drink
- calc'nClean – combined descaling and cleaning program for less effort
- removable brewing unit – for easy and hygienic cleaning
- dishwasher-proof: beverage outlet, drip tray and drip pans
- automatic reminder for cleaning, descaling or water filter change

Home Connect

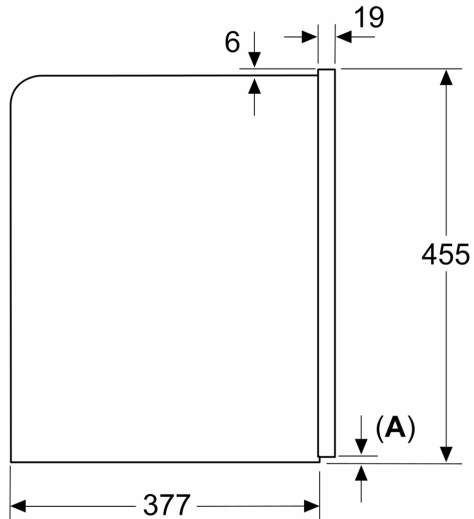
- remote control – operate your appliance from everywhere
- coffeePlaylist – select several drinks in the app, prepared in your chosen order
- additional coffee know-how
- software update – always the newest software status
- online support
- Security: Security is of top priority at Home Connect. The Home Connect app has been tested and certified by TÜV IT. And the encrypted data transfer via Home Connect protocol protects against unauthorised access.
- integrated 0,7 l milk container
- 500 g bean container with aroma protection lid
- illuminated coffee outlet and stage
- adjustable grinding degree (multi-level)
- child lock

Accessories

- included accessories: 1 x test strip
- Separately available accessories: cleaning tablets (TZ80001...), descaling tablets (TZ80002...), BRITA Intenza water filter (TZ70003/TZ70033), care set for fully-automatic espresso makers (TZ80004...), adapter for milk carton (TZ70001), milk container (TZ90009)

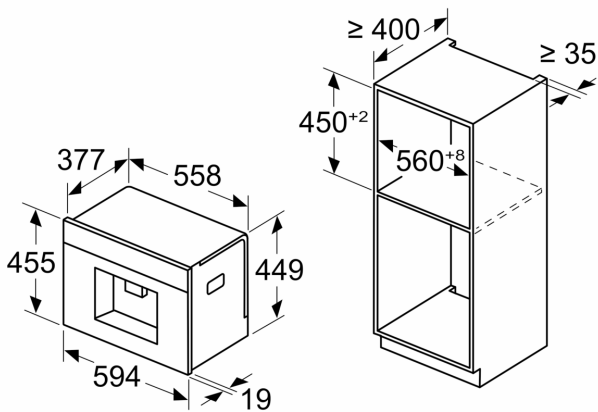
**Series 8, Built-in fully automatic coffee machine, Black
CTL7181B0**

Measurements in mm



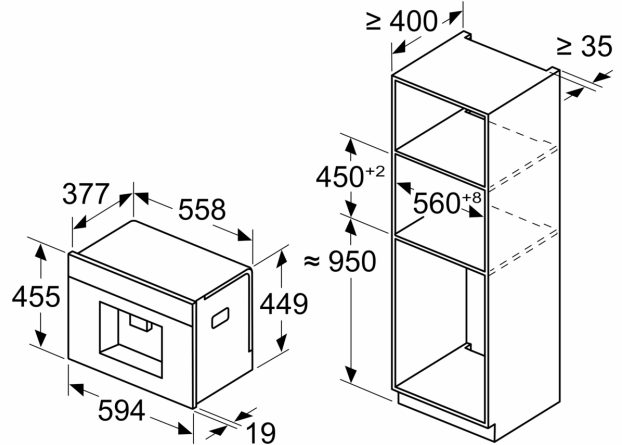
A: 7.5 mm

Measurements in mm



Bean and water containers are removed from the front
Recommended installation height
950–1450 mm

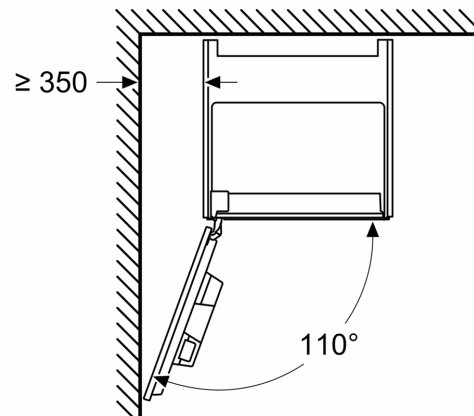
Measurements in mm



Bean and water containers are removed from the front
Recommended installation height
950–1450 mm

Measurements in mm

Left corner installation



If using the 92° hinge limiter, the min. distance to the wall is only 100 mm

Measurements in mm

