

## Serie | 8, Built-in compact oven with steam function, Stainless steel CSG656BS6B

**A+**


### Included accessories

1 x grid, 1 x universal pan, 1 x steam container, punched, size S, 1 x steam container, punched, size XL, 1 x steam container, unpunched, size S

### Optional accessories

HEZ327000 : Pizza stone  
 HEZ530000 : Half tray  
 HEZ531010 : Baking tray, non-stick ceramic coated  
 HEZ625071 : Grill tray, anthracite enamelled  
 HEZ631070 : Baking tray, anthracite enamelled  
 HEZ636000 : Glass pan  
 HEZ660060 : Strip  
 HEZ6FCG0 : Cookbook  
 HEZ915003 : Glass roasting dish, 5,4 L

## The compact steam oven with hot air function: lets you combine gentle cooking with the power of hot air.

- **Added Steam cooking:** keeping food crispy on the outside and juicy on the inside
- **BoschAssist:** automatic setting heat, temperature and time for countless dishes.
- **TFT touchscreen control:** easy-to-use thanks to the control ring with full text and images.
- **EcoClean Direct:** almost no cleaning is necessary thanks to a special coating.
- **LED lighting:** perfect illumination of foods with minimum energy consumption.
- **Drop Down door with SoftOpen and SoftClose:** the oven door opens and closes gently and quietly
- **Home Connect:** home appliances with smart connectivity for an easier everyday life.
- Home Connect takes the guesswork out of cooking new recipes
- Use your mobile device to remotely check your oven status, then control it via the Home Connect app.
- Smart support, smart solutions - at the touch of a button.
- Remote Diagnostics is here to help

### Technical Data

Color / Material Front :	Stainless steel
Construction type :	Built-in
Door opening :	Drop down
Required niche size for installation (HxWxD) :	450-455 x 560-568 x 550
Dimensions of the product (mm) :	455 x 594 x 548
Dimensions of the packed product (HxWxD) (mm) :	530 x 660 x 690
Control Panel Material :	Stainless steel
Door Material :	Glass
Net weight (kg) :	34.699
Approval certificates :	CE, VDE
Length of electrical supply cord (cm) :	150
EAN code :	4242005032556
Current (A) :	16
Voltage (V) :	220-240
Frequency (Hz) :	50; 60
Plug type :	no plug
Approval certificates :	CE, VDE
Number of cavities (2010/30/EC) :	1
Usable volume (of cavity) - NEW (2010/30/EC) :	47
Energy efficiency class (2010/30/EC) :	A+
Energy consumption per cycle conventional (2010/30/EC) :	0.73
Energy consumption per cycle forced air convection (2010/30/EC) :	0.61
Energy efficiency index (2010/30/EC) :	81.3



4 242005 032556

## **Serie | 8, Built-in compact oven with steam function, Stainless steel CSG656BS6B**

**The compact steam oven with hot air function: lets you combine gentle cooking with the power of hot air.**

### **Design**

- 3x 2,5"-TFT colour and graphics display with direct touch function
- Bosch control wheel
- Straight bar handle
- Enamel anthracite

### **Features**

- Digital temperature display with proposal Actual temperature display Heating-up indicator Sabbath setting
- Control panel lock Automatic safety switch off Residual heat indicator Start button Door contact switch
- BoschAssist
- Electronic clock timer
- Main on/off switch
- LED light, Light on/off when oven door opened/closed
- Light on/off when oven door opened/closed
- 3 shelf positions
- Water tank empty indicator
- Integral cooling fan

### **Cleaning**

- EcoClean Direct : ceiling, back panel, side liners
- EcoClean Direct programme
- Full glass inner door

### **Programmes/functions**

- Compact steam oven with 12 main functions heating methods: 4D Hotair, Hotair Gentle, conventional top and bottom heat, conventional heat Gentle, Hotair grilling, full width variable grill, half width grill, pizza function, bottom heat, low temperature cooking, plate warming, keep warm
- Additional heating methods with steam: Steam cooking, reheating, Dough proving, defrost
- Additional functions: Descaling programme Drying function autom. boiling point detection
- Fast pre-heating function

### **Standard accessories**

- 1 x steam container, punched, size S, 1 x steam container, punched, size XL, 1 x steam container, unpunched, size S, 1 x grid, 1 x universal pan

### **Performance/technical information**

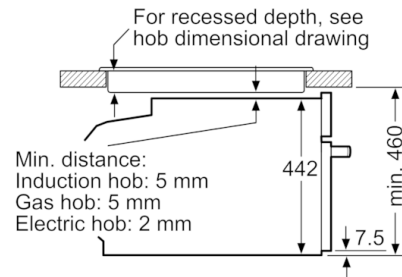
- Energy efficiency rating (acc. EU Nr. 65/2014): A+ Energy consumption per cycle in conventional mode: 81.3 Energy consumption per cycle in fan-forced convection mode: 0.61 kwh Number of cavities: 1 Cavity volume: 47 litre capacity
- 1 l Water tank
- Power cord length 150 cm Cable length
- Total connected load electric: 3.3 KW
- Nominal voltage: 220 - 240 V
- Appliance dimension (hxwx): 455 mm x 594 mm x 548 mm
- Niche dimension (hxwx): 450 mm - 455 mm x 560 mm - 568 mm x 550 mm
- Please refer to the dimensions provided in the installation manual

## Serie | 8, Built-in compact oven with steam function, Stainless steel CSG656BS6B

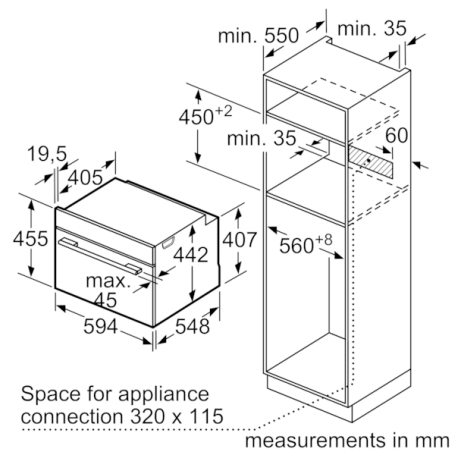
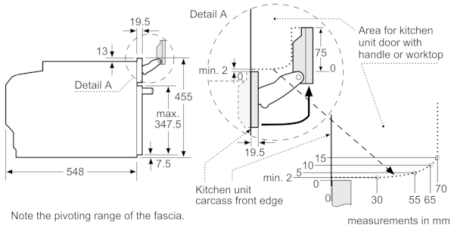
If the compact appliance will be installed underneath a hob, the following worktop thicknesses (including substructure if necessary) must be taken into account.

Hob type	min. worktop thickness	
	fitted	flush
Induction hob	42 mm	43 mm
Full surface Induction hob	52 mm	53 mm
Gas hob	32 mm	43 mm
Electric hob	32 mm	35 mm

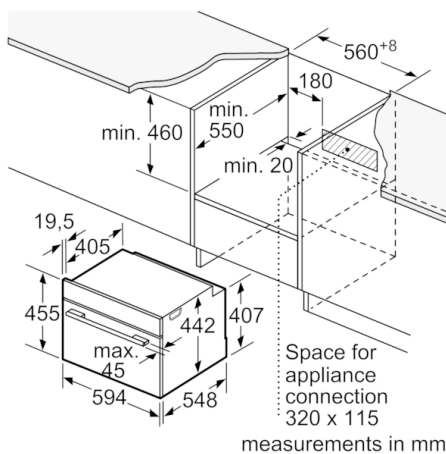
Installation with a hob.



measurements in mm



measurements in mm



measurements in mm