

**Serie | 8, Built-in compact oven with steam function, 60 x 45 cm, Stainless steel  
CSG656BS1B**

**A+**



**Included accessories**

1 x grid, 1 x universal pan, 1 x steam container, punched, size S, 1 x steam container, punched, size XL, 1 x steam container, unpunched, size S

**Optional accessories**

HEZ327000 : Pizza stone  
HEZ530000 : Half tray  
HEZ531010 : Baking tray, non-stick ceramic coated  
HEZ625071 : Grill tray, anthracite enamelled  
HEZ631070 : Baking tray, anthracite enamelled  
HEZ636000 : Glass pan  
HEZ660060 : Strip  
HEZ6FCG0 : Cookbook  
HEZ915003 : Glass roasting dish, 5,4 L

**The compact steam oven with hot air function: lets you combine gentle cooking with the power of hot air.**

- **Steam function:** for gentle, healthy food preparation.
- **Added Steam cooking:** keeping food crispy on the outside and juicy on the inside
- **BoschAssist:** automatic setting heat, temperature and time for countless dishes.
- **TFT touchscreen control:** easy-to-use thanks to the control ring with full text and images.
- **EcoClean Direct:** almost no cleaning is necessary thanks to a special coating.

**Technical Data**

Color / Material Front :	Stainless steel
Construction type :	Built-in
Door opening :	Drop down
Required niche size for installation (HxWxD) :	450-455 x 560-568 x 550
Dimensions :	455 x 594 x 548
Dimensions of the packed product (HxWxD) (mm) :	520 x 650 x 710
Control Panel Material :	Stainless steel
Door Material :	Glass
Net weight (kg) :	34.549
Approval certificates :	CE, VDE
Length of electrical supply cord (cm) :	150
EAN code :	4242002807522
Current (A) :	16
Voltage (V) :	220-240
Frequency (Hz) :	60; 50
Plug type :	no plug
Approval certificates :	CE, VDE
Number of cavities (2010/30/EC) :	1
Usable volume (of cavity) - NEW (2010/30/EC) :	47
Energy efficiency rating :	A+
Energy consumption per cycle conventional (2010/30/EC) :	0.73
Energy consumption per cycle forced air convection (2010/30/EC) :	0.61
Energy efficiency index (2010/30/EC) :	81.3



## **Serie | 8, Built-in compact oven with steam function, 60 x 45 cm, Stainless steel CSG656BS1B**

**The compact steam oven with hot air function: lets you combine gentle cooking with the power of hot air.**

---

- 3x 2,5"-TFT colour and graphics display with direct touch function
- EcoClean Direct :ceiling, back panel, side liners
- EcoClean Direct programme
- BoschAssist
- Drop down door,SoftClose,SoftOpen
- Electronic clock timer
- LED light,Light on/off when oven door opened/closed
- Integral cooling fan
- Control panel lock  
Automatic safety switch off  
Residual heat indicator  
Start button  
Door contact switch
- Water tank empty indicator

### **Programmes/functions**

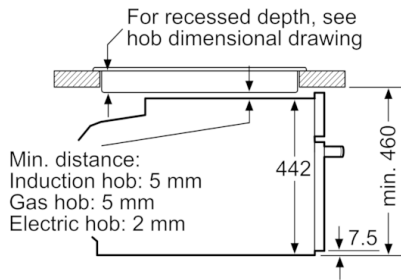
- Compact steam ovenwith12 main functionsheating methods:4D Hotair,Hotair Gentle,conventional top and bottom heat,conventional heat Gentle,Hotair grilling,full width variable grill,half width grill,pizza function,bottom heat,low temperature cooking,plate warming,keep warm
- Additional heating methods with steam:Steam cooking,reheating with steam,Dough proving,defrost
- Additional functions:  
Descaling programme  
Drying function  
autom. boiling point detection
- Fast pre-heating function

### **Technical information**

- Cavity volume:47 litre capacity
- 1 lWater tank
- Location of water tank:Outside cavity
- Temperature range30 °C-250 °C
- Power cord length 150 cmCable length
- Appliance dimension (hwxwd):455 mmx594 mmx548 mm
- Please refer to the dimensions provided in the installation manual
- 1 x universal pan, 1 x grid, 1 x steam container, punched, size XL, 1 x steam container, punched, size S, 1 x steam container, unpunched, size S

## Serie | 8, Built-in compact oven with steam function, 60 x 45 cm, Stainless steel CSG656BS1B

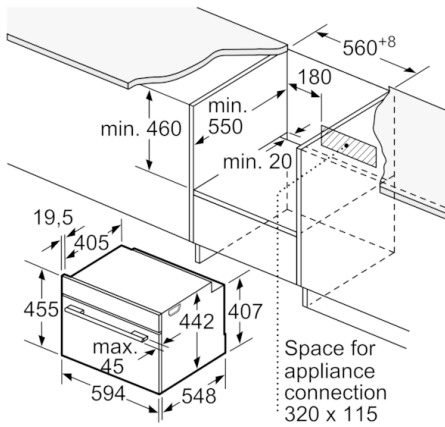
Installation with a hob.



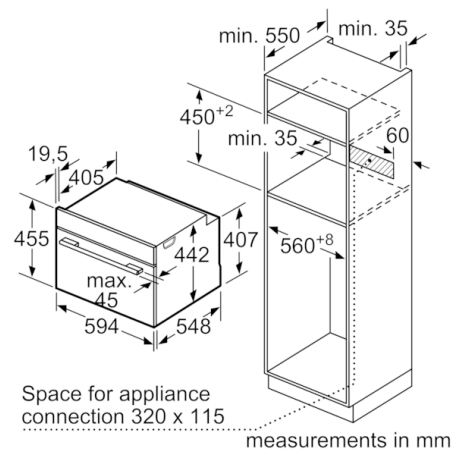
measurements in mm

If the compact appliance will be installed underneath a hob, the following worktop thicknesses (including substructure if necessary) must be taken into account.

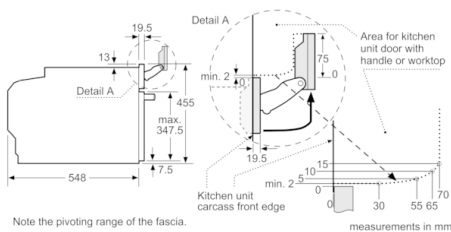
Hob type	min. worktop thickness	
	fitted	flush
Induction hob	42 mm	43 mm
Full surface Induction hob	52 mm	53 mm
Gas hob	32 mm	43 mm
Electric hob	32 mm	35 mm



measurements in mm



measurements in mm



measurements in mm