

Serie | 8, Built-in compact oven with microwave function, 60 x 45 cm, Black CMG656BB6B



Included accessories

1 x combination grid
1 x universal pan

Optional accessories

HEZ530000 : Half tray
HEZ531010 : Baking tray, non-stick ceramic coated
HEZ631070 : Baking tray, anthracite enamelled
HEZ636000 : Glass pan
HEZ660060 : Strip
HEZ915003 : Glass roasting dish, 5,4 L

The compact oven with microwave function: enables you to achieve perfect baking and roasting results very quickly.

- **Microwave function:** for quick warming up or for fast cooking in combination with hotair.
- **4D hotair:** even heat distribution for perfect results.
- **Assist:** sets the optimal type of heat, temperature and time automatically for a wide range of dishes.
- **TFT touchdisplay:** clearly shows text and images, for easy and intuitive oven control.
- **EcoClean Direct:** easy cleaning thanks to a coating that breaks down grease while you bake.

Technical Data

Type of micro-wave oven : MW-Combi
Type of control : Electronic
Color / Material Front : Black
Cavity dimensions : 237.0 x 480 x 392.0 mm
Approval certificates : CE, VDE
Length of electrical supply cord : 150 cm
Net weight : 35.9 kg
Gross weight : 38.2 kg
EAN code : 4242002932521
Maximum micro-wave power : 900 W
Connection rating : 3600 W
Fuse protection : 16 A
Voltage : 220-240 V
Frequency : 60; 50 Hz
Plug type : no plug
Cavity dimensions : 237.0 x 480 x 392.0 mm



4 242002 932521

Serie | 8, Built-in compact oven with microwave function, 60 x 45 cm, Black CMG656BB6B

The compact oven with microwave function: enables you to achieve perfect baking and roasting results very quickly.

Performance/technical information

- Cavity volume: 45 litre capacity
- Temperature range 30 °C - 275 °C
- Power cord length 150 cm Cable length
- Total connected load electric: 3.6 KW
- Nominal voltage: 220 - 240 V
- Appliance dimension (hxwxh): 455 mm x 594 mm x 548 mm
- Niche dimension (hxwxh): 450 mm - 455 mm x 560 mm - 568 mm x 550 mm
- Please refer to the dimensions provided in the installation manual

Design

- 3x 2,5"-TFT colour and graphics display with direct touch function
- Bosch control wheel
- Straight bar handle
- Drop down door, SoftClose, SoftOpen
- 3 shelf positions

Features

- Home Connect ready
- Digital temperature display with proposal Actual temperature display Heating-up indicator
- Control panel lock Automatic safety switch off Residual heat indicator Start button Door contact switch
- Intelligent microwave inverter technology: For optimised results maximum output power will be regulated to 600 W when used in longer operation for gentler cooking.
- BoschAssist
- Electronic clock timer
- LED light, Light on/off when oven door opened/closed
- Integral cooling fan

Cleaning

- EcoClean Direct : ceiling, back panel, side liners
- EcoClean Direct programme

Programmes/functions

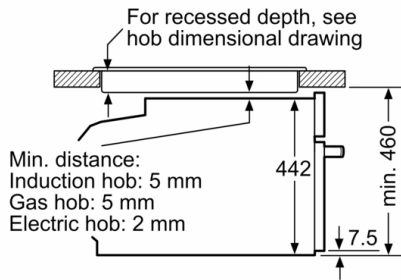
- Compact oven with microwave with 12 main functions heating methods: 4D Hotair, Hotair Gentle, conventional top and bottom heat, conventional heat Gentle, Hotair grilling, full width variable grill, half width grill, pizza function, bottom heat, low temperature cooking, plate warming, keep warm
- Additional heating methods with microwave: Microwave, Combi microwave variable
- Max. Power: 900 W; 5 Microwave power settings (90 W,180 W,360 W,600 W,900 W)
- Fast pre-heating function

Accessories

- 1 x combination grid, 1 x universal pan

Serie | 8, Built-in compact oven with microwave function, 60 x 45 cm, Black CMG656BB6B

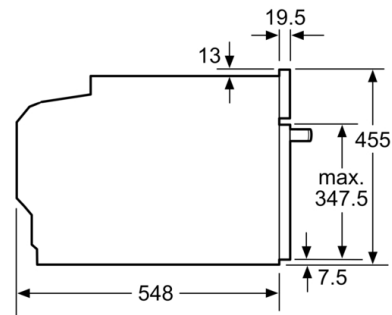
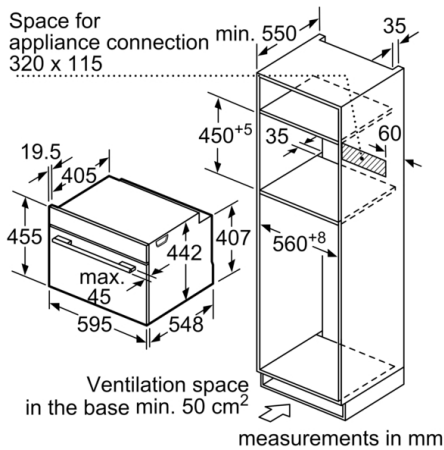
Installation with a hob.



measurements in mm

If the compact appliance will be installed underneath a hob, the following worktop thicknesses (including substructure if necessary) must be taken into account.

Hob type	min. worktop thickness	
	fitted	flush
Induction hob	42 mm	43 mm
Full surface Induction hob	52 mm	53 mm
Gas hob	32 mm	43 mm
Electric hob	32 mm	35 mm



measurements in mm

