

**Serie | 8, Built-in steamer, 60 x 45 cm,  
Stainless steel  
CDG634BS1**



**The steamer: prepare foods especially gently, retaining the aroma and vitamins.**

- **Steam function:** for gentle, healthy food preparation.
- **TFT display control:** easy-to-use thanks to the control ring with full text and symbols.
- **Drop down door with SoftOpen and SoftClose:** the oven door opens and closes gently and quietly

**Technical Data**

Color / Material Front :	Stainless steel
Construction type :	Built-in
Required niche size for installation (HxWxD) :	450-455 x 560-568 x 550
Dimensions of the packed product (HxWxD) (mm) :	520 x 650 x 710
Control Panel Material :	Stainless steel
Door Material :	Glass
Net weight (kg) :	24.523
Approval certificates :	CE, VDE
Length of electrical supply cord (cm) :	150
EAN code :	4242002789132
Connection rating (W) :	1750
Current (A) :	10
Voltage (V) :	220-240
Frequency (Hz) :	60; 50
Plug type :	Gardy plug w/ earthing
Approval certificates :	CE, VDE

**Included accessories**

1 x steam container, punched, size L, 1 x steam container, unpunched, size L, 1 x sponge

**Optional accessories**

HEZ660060 : Strip  
HEZ915003 : Glass roasting dish, 5,4 L



4 242002 789132

**Serie | 8, Built-in steamer, 60 x 45 cm,  
Stainless steel  
CDG634BS1**

**The steamer: prepare foods especially  
gently, retaining the aroma and vitamins.**

---

- 2.5"-TFT colour and text display with direct select buttons
- Automatic programmes
- Drop down door, SoftClose, SoftOpen

**Features**

- Electronic clock timer
- Round light, Light on/off when oven door opened/closed
- Integral cooling fan
- Control panel lock
  - Automatic safety switch off
  - Start button
  - Door contact switch
- Water tank empty indicator

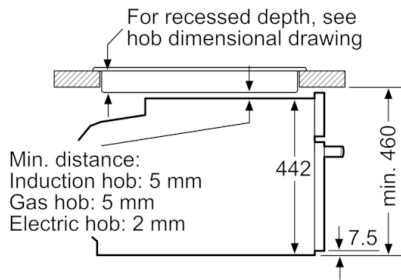
**Programmes/functions**

**Technical information**

- Cavity volume: 38 litres
- 1.3 l Water tank
- Location of water tank: Inside cavity
- Power cord length 150 cm Cable length
- Total connected load electric: 1.75 KW
- Appliance dimension (hxwx): 455 mm x 594 mm x 548 mm
- Please refer to the dimensions provided in the installation manual
- 1 x steam container, punched, size L, 1 x steam container, unpunched, size L, 1 x sponge

**Serie | 8, Built-in steamer, 60 x 45 cm,  
Stainless steel  
CDG634BS1**

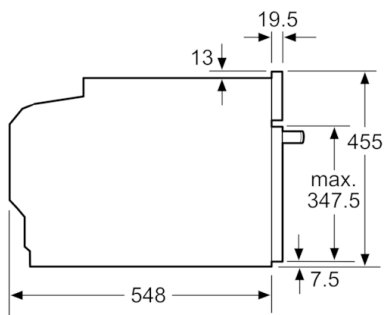
Installation with a hob.



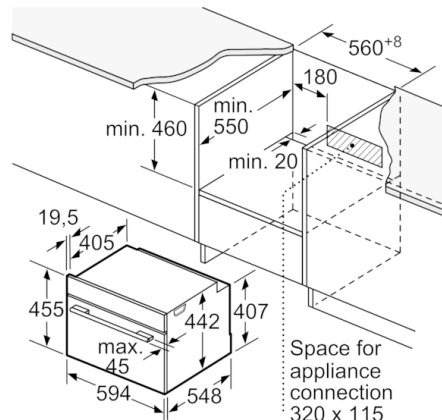
measurements in mm

If the compact appliance will be installed underneath a hob, the following worktop thicknesses (including substructure if necessary) must be taken into account.

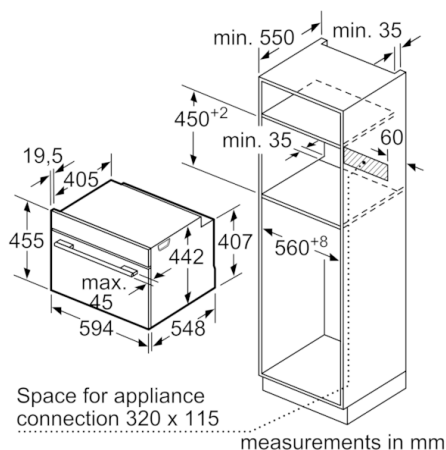
Hob type	min. worktop thickness	
	fitted	flush
Induction hob	42 mm	43 mm
Full surface Induction hob	52 mm	53 mm
Gas hob	32 mm	43 mm
Electric hob	32 mm	35 mm



measurements in mm



measurements in mm



measurements in mm