

**Series 8, Built-in warming drawer, 60  
x 29 cm, Black  
BID7101B1B**

---

---

- **Push-pull mechanism:** easy opening and closing thanks to a clever spring mechanism.

---

**Technical Data**

Built-in / Free-standing: ..... Built-in  
Maximum number of plates: .....40  
Maximum number of espresso cups: ..... 192  
Dimensions: ..... 290 x 594 x 518 mm  
Dimensions of the packed product (HxWxD): ..... 400 x 650 x 700 mm  
Min. required niche size for installation (HxWxD): .....290 x 560 x 550 mm  
EAN code: .....4242005323029  
Fuse protection: .....10 A  
Voltage: ..... 220-240 V  
Frequency: ..... 50; 60 Hz  
Plug type: ..... GB plug

---

**Optional accessories**

HEZ32WA00 Wireless food thermometer



## **Series 8, Built-in warming drawer, 60 x 29 cm, Black BID7101B1B**

---

### **Design**

#### **Programmes/functions**

- Touch Control illuminated
- User-friendly electronics: extremely
- easy and comfortable operation
- Easy to clean toughened glass heating plate
- Cavity volume: 54 l
- Loading up to 25 kg
- Can accommodate up to:
  - -40plates
  - -192 espresso cups
- Temperature control in 4 levels: ca. 30°C - 80°C (glass surface temperature)
- Push-pull opening mechanism

#### **Technical information**

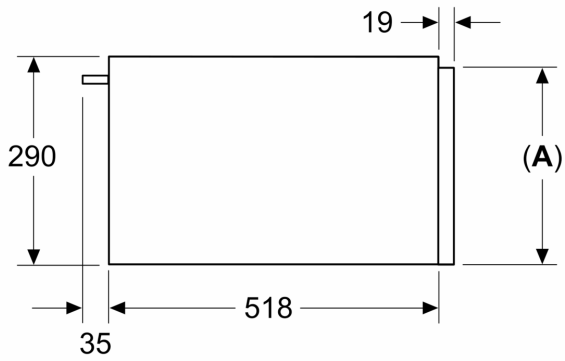
- Total connected load electric: 0.82 KW
- Nominal voltage: 220 - 240 V

#### **Performance/technical information**

- Appliance dimension (hxwxh): 290 mm x 594 mm x 518 mm
- Niche dimension (hxwxh): 290 mm x 560 mm - 568 mm x 550 mm
- In case of installation under the worktop, installation accessory spare part no. 9001698838 is needed.
- Please refer to the dimensions provided in the installation manual

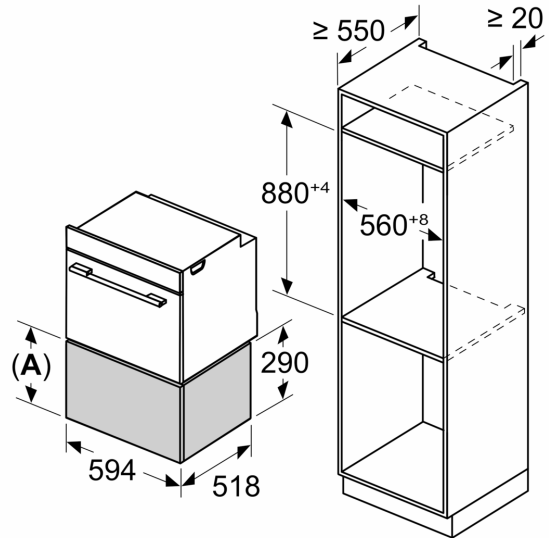
**Series 8, Built-in warming drawer, 60  
x 29 cm, Black  
BID7101B1B**

Measurements in mm



**A: 287.5 mm**  
Ovens with appliance height of 595 mm can be installed above the warming drawer without an intermediate floor

Measurements in mm



**A: 287.5 mm**