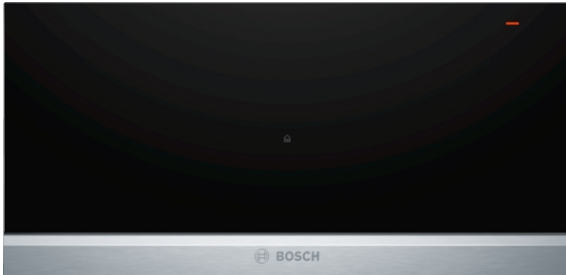


**Series 8, Built-in warming drawer, 60 x 29 cm, Stainless steel
BID630NS1B**



- **Push-pull mechanism:** easy opening and closing thanks to a clever spring mechanism.
- **Cleaning convenience:** Easy to clean hotplate made of tempered glass.

Technical Data

Construction type : Built-in

Color / Material Front : Stainless steel

Maximum number of plates : 40

Maximum number of espresso cups : 192

Dimensions : 290 x 594 x 548 mm

Dimensions of the packed product (HxWxD) : 350 x 650 x 660 mm

Min. required niche size for installation (HxWxD) : 290 x 560 x 550 mm

EAN code : 4242002813936

Fuse protection : 10 A

Voltage : 220-240 V

Frequency : 60; 50 Hz

Plug type : GB plug



4 242002 813936

Series 8, Built-in warming drawer, 60 x 29 cm, Stainless steel BID630NS1B

Design

- Push-pull opening mechanism
- Easy to clean toughened glass heating plate
- Can accommodate up to:
 - 40plates
 - 192 espresso cups
- Rotary dial
- Temperature control in 4 levels: ca. 30°C - 80°C (glass surface temperature)

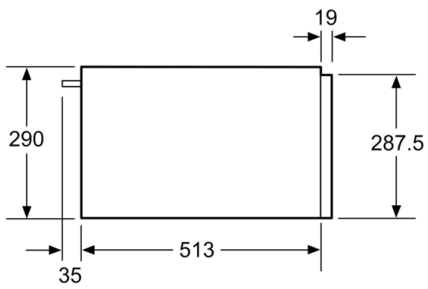
Programmes/functions

- 5 functions: dough proving thawing of delicate foods keeping drinks and food warm pre-warming of crockery gentle cooking

Performance/technical information

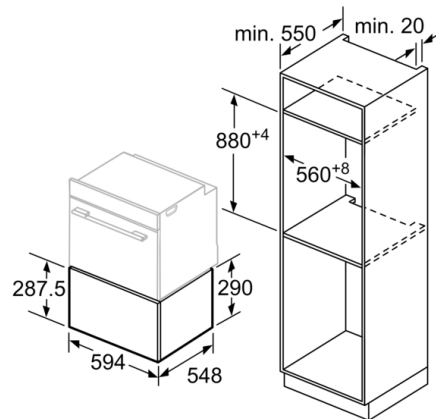
- Cavity volume: 52 l
- Loading up to 25 kg
- Power cord length 150 cm Cable length
- Total connected load electric: 0.81 KW
- Nominal voltage: 220 - 240 V
- Appliance dimension (hxwxd): 290 mm x 594 mm x 548 mm
- Niche dimension (hxwxd): 290 mm x 560 mm - 568 mm x 550 mm
- Please refer to the dimensions provided in the installation manual

**Series 8, Built-in warming drawer, 60 x 29 cm, Stainless steel
 BID630NS1B**



Ovens with an appliance height of 595 mm can be installed above a warming drawer. An intermediate floor is not required.

measurements in mm



measurements in mm