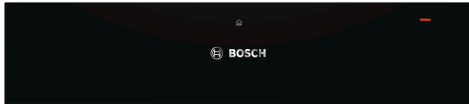


**Series 8, Built-in warming drawer, 60  
x 14 cm, Black  
BIC630NB1B**



**The multifunctional 14cm warming drawer  
pre-heats plates, keeps food warm and  
even cooks at low temperatures.**

- **Push-pull mechanism:** easy opening and closing thanks to a clever spring mechanism.
- **Cleaning convenience:** Easy to clean hotplate made of tempered glass.

---

Built-in / Free-standing: ..... Built-in  
 Maximum number of plates: ..... 12  
 Maximum number of espresso cups: ..... 64  
 Dimensions: ..... 140x594x548 mm  
 Dimensions of the packed product (HxWxD): ..... 210 x 650 x 670 mm  
 Min. required niche size for installation (HxWxD): .... 140 x 560 x 550 mm  
 EAN code: ..... 4242002897721  
 Fuse protection: ..... 10 A  
 Voltage: ..... 220-240 V  
 Frequency: ..... 60; 50 Hz  
 Plug type: ..... GB plug

---



**Series 8, Built-in warming drawer, 60  
x 14 cm, Black  
BIC630NB1B**

**The multifunctional 14cm warming drawer  
pre-heats plates, keeps food warm and  
even cooks at low temperatures.**

---

**Design**

- Push-pull opening mechanism
- Can accommodate up to:
  - 12 plates
  - 64 espresso cups
- Loading up to 25 kg
- Easy to clean toughened glass heating plate

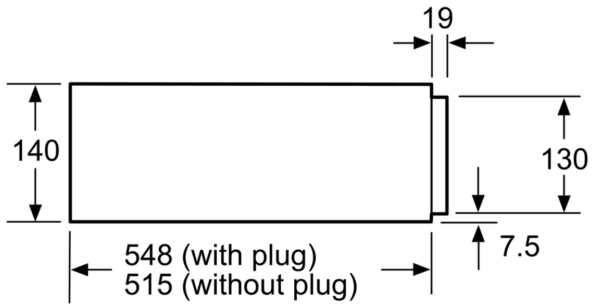
**Programmes/functions**

- 5 functions: dough proving thawing of delicate foods keeping drinks and food warm pre-warming of crockery gentle cooking
- Temperature control in 4 levels: ca. 30°C - 80°C (glass surface temperature)

**Technical information**

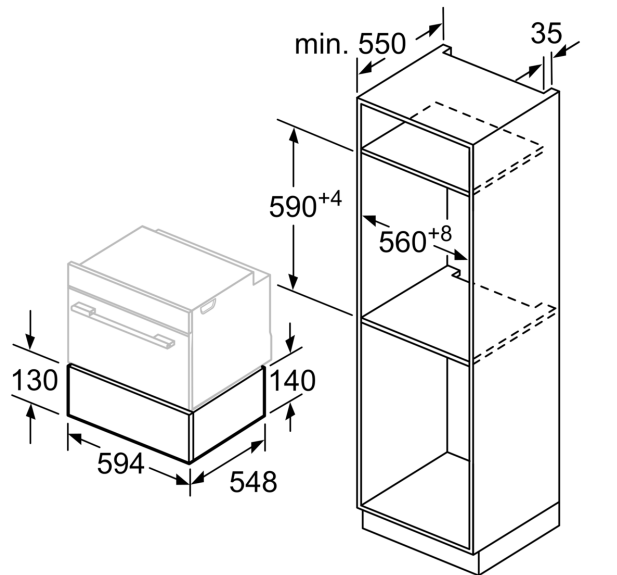
- Cavity volume: 20 l
- Power cord length 150 cm Cable length
- Total connected load electric: 0.81 KW
- Nominal voltage: 220 - 240 V
- Appliance dimension (hxwxd): 140 mm x 594 mm x 548 mm
- Niche dimension (hxwxd): 140 mm x 560 mm - 568 mm x 550 mm
- Please refer to the dimensions provided in the installation manual

**Series 8, Built-in warming drawer, 60  
x 14 cm, Black  
BIC630NB1B**



Compact ovens with an appliance height of 455 mm can be installed above a warming drawer. An intermediate floor is not required.

measurements in mm



measurements in mm