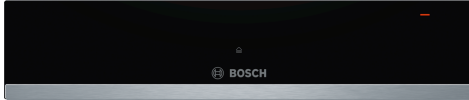


**Series 6, Built-in warming drawer, 60  
x 14 cm, Stainless steel  
BIC510NS0B**



**The multifunction warming drawer for the  
14 cm niche: for pre-heating plates and  
keeping food warm.**

- **Push-pull mechanism:** easy opening and closing thanks to a clever spring mechanism.

---

**Technical Data**

Built-in / Free-standing: .....	Built-in
Maximum number of plates: .....	14
Maximum number of espresso cups: .....	64
Dimensions: .....	140 x 594 x 540 mm
Dimensions of the packed product (HxWxD): .....	210 x 660 x 660 mm
Min. required niche size for installation (HxWxD): .....	140 x 560 x 550 mm
EAN code: .....	4242005035397
Fuse protection: .....	6 A
Voltage: .....	220-240 V
Frequency: .....	60; 50 Hz
Plug type: .....	GB plug
Included accessories: .....	1 x Anti-slip mat

---





**Series 6, Built-in warming drawer, 60  
x 14 cm, Stainless steel  
BIC510NS0B**

**The multifunction warming drawer for the  
14 cm niche: for pre-heating plates and  
keeping food warm.**

---

**Design**

- Can accommodate up to:
  - 14 plates
  - 64 espresso cups
- Loading up to 15 kg
- Cavity inner surface: stainless steel
- Push-pull opening mechanism

**Programmes/functions**

- 4 Functions: keeping drinks and food warm, pre-warming of tableware, yeast dough proving, thawing of delicate foods

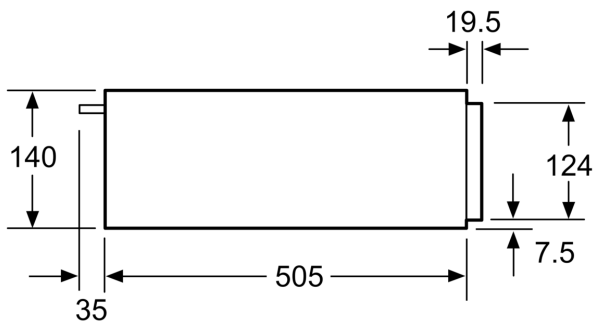
**Accessories**

- 1 x Anti-slip mat

**Performance/technical information**

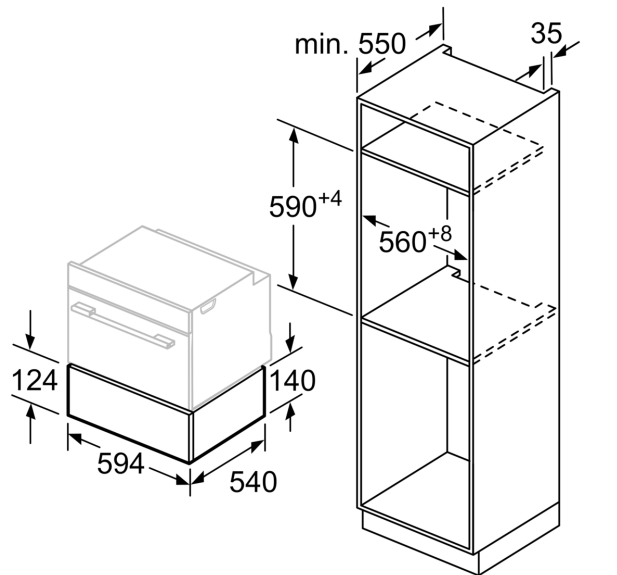
- Cavity volume: 23 l
- Power cord length 150 cm Cable length
- Total connected load electric: 0.4 KW
- Nominal voltage: 220 - 240 V
- Appliance dimension (hxwxd): 140 mm x 594 mm x 540 mm
- Niche dimension (hxwxd): 140 mm x 560 mm - 568 mm x 550 mm
- Please refer to the dimensions provided in the installation manual

**Series 6, Built-in warming drawer, 60  
x 14 cm, Stainless steel  
BIC510NS0B**



Compact ovens with an appliance height of 455 mm can be installed above a warming drawer. An intermediate floor is not required.

measurements in mm



measurements in mm