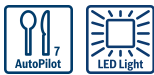


Series 8, Built-in microwave oven, 60 x 38 cm, Stainless steel BFL634GS1B



- **AutoPilot 7:** every dish is a perfect success thanks to 7 pre-set automatic programmes.
- **TFT display control:** easy-to-use thanks to the control ring with full text and symbols.
- **LED lighting:** perfect illumination of foods with minimum energy consumption.

Technical Data

Type of micro-wave oven:	MW only
Type of control:	Electronic
Dimensions:	382 x 594 x 318 mm
Cavity dimensions:	220 x 350 x 270 mm
Length electrical supply cord:	150.0 cm
Net weight:	16.0 kg
Gross weight:	18.1 kg
EAN code:	4242002813776
Max. microwave power level:	900 W
Connection rating:	1220 W
Fuse protection:	10 A
Voltage:	220-240 V
Frequency:	50; 60 Hz
Plug type:	GB plug

Optional accessories

HEZ6UCC0 Cookbook



Series 8, Built-in microwave oven, 60 x 38 cm, Stainless steel BFL634GS1B

Design

- Side opening door, left hinged

Features

- Start button
- Intelligent microwave inverter technology: For optimised results maximum output power will be regulated to 600 W when used in longer operation for gentler cooking.
- AutoPilot, 7
- LED light
- Integral cooling fan

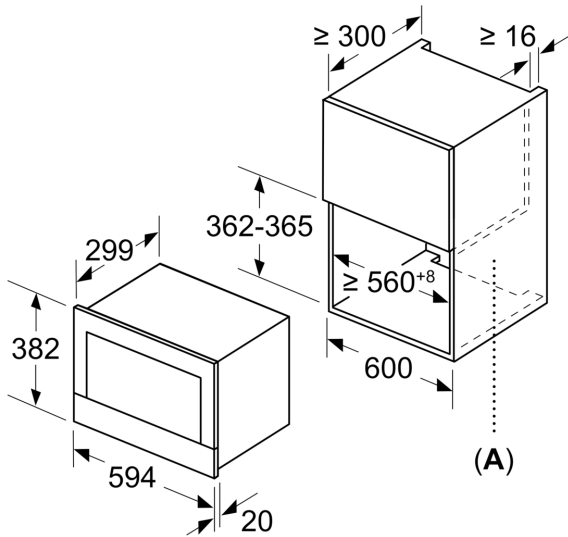
Programmes/functions

Performance/technical information

- Cavity volume: 21 l
- Power cord length 150 cm Cable length
- Total connected load electric: 1.22 KW
- Nominal voltage: 220 - 240 V
- Appliance dimension (hxwxd): 382 mm x 594 mm x 318 mm
- Niche dimension (hxwxd): 362 mm - 382 mm x 560 mm - 568 mm x 300 mm
- Please refer to the dimensions provided in the installation manual

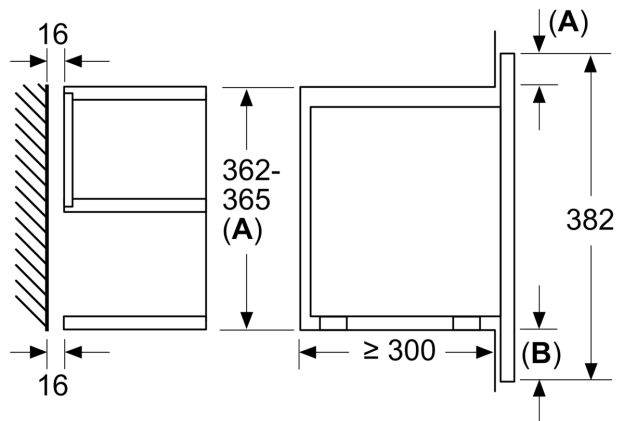
**Series 8, Built-in microwave oven, 60
x 38 cm, Stainless steel
BFL634GS1B**

measurements in mm



A: Back panel open

measurements in mm



A: Overhang at top:
 Recess 362: 6 mm
 Recess 365: 3 mm
B: Overhang at bottom: 14 mm

