

Series 6, Built-in microwave oven, 60 x 38 cm, Stainless steel BFL524MS0B



Included accessories

1 x Turntable

Optional accessories

HEZ86D000 Steamer Cooker Accessory for Microwave

The built-in microwave for the 38 cm niche: use it for thawing, heating and perfect preparation of foods.

- **AutoPilot 7:** every dish is a perfect success thanks to 7 pre-set automatic programmes.
- **Pop-out controls:** for an easy to clean front.
- **LED lighting:** perfect illumination of foods with minimum energy consumption.

Technical Data

Type of micro-wave oven:	MW only
Type of control:	Electronic
Dimensions:	382 x 594 x 317 mm
Cavity dimensions:	201.0 x 308.0 x 282.0 mm
Length electrical supply cord:	130.0 cm
Net weight:	16.1 kg
Gross weight:	18.4 kg
EAN code:	4242005038749
Max. microwave power level:	800 W
Connection rating:	1270 W
Fuse protection:	10 A
Voltage:	230-240 V
Frequency:	50 Hz
Plug type:	GB plug
Included accessories:	1 x Turntable



Series 6, Built-in microwave oven, 60 x 38 cm, Stainless steel BFL524MS0B

The built-in microwave for the 38 cm niche: use it for thawing, heating and perfect preparation of foods.

Design

- LED Display, white
- Side opening door, left hinged
- 25.5 cm Glass turntable
- Cavity inner surface: stainless steel
- Electronic clock timer
- Rotary dial, Retractable control dials, Touch controls, round, Start button
- Touch key operation

Features

- Automatic safety switch off
- Door contact switch
- AutoPilot, 7
- LED light
- Integral cooling fan
- Electronic open button

Programmes/functions

- Maximum microwave power level: 800 W and the following options 180 W, 360 W, 600 W, 800 W, 90 W
- 4 defrost and 3 cooking programmes in microwave function
- 1 memory setting

Accessories

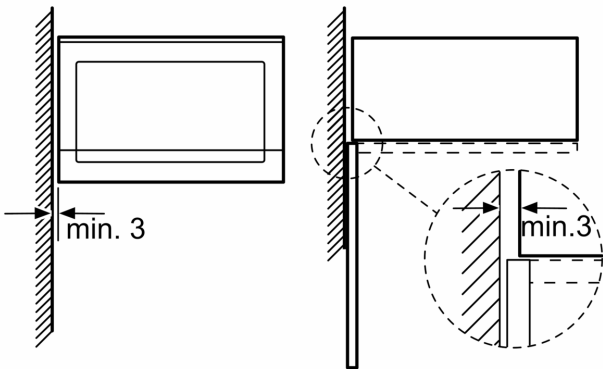
- 1 x Turntable

Performance/technical information

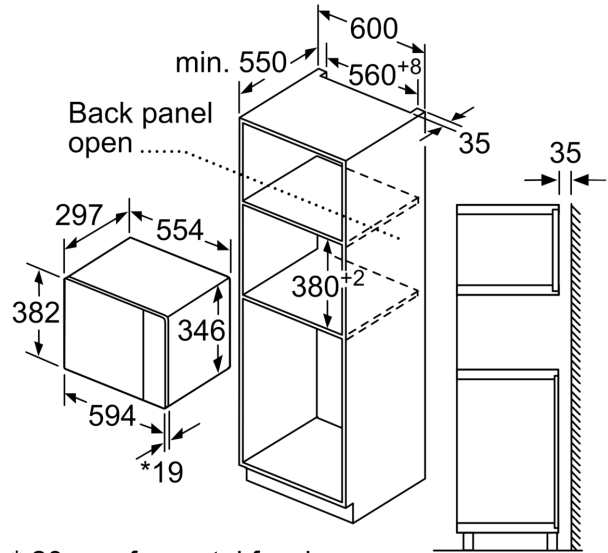
- Cavity volume: 20 l
- 130 cm Cable length
- Total connected load electric: 1.27 KW
- Nominal voltage: 230 - 240 V
- Appliance dimension (hxwxh): 382 mm x 594 mm x 317 mm
- Niche dimension (hxwxh): 362 mm - 365 mm x 560 mm - 568 mm x 300 mm
- For installation into a 60 cm wide wall unit, installation in tall housing
- Please refer to the dimensions provided in the installation manual

Series 6, Built-in microwave oven, 60 x 38 cm, Stainless steel
BFL524MS0B

Microwave,
corner installation



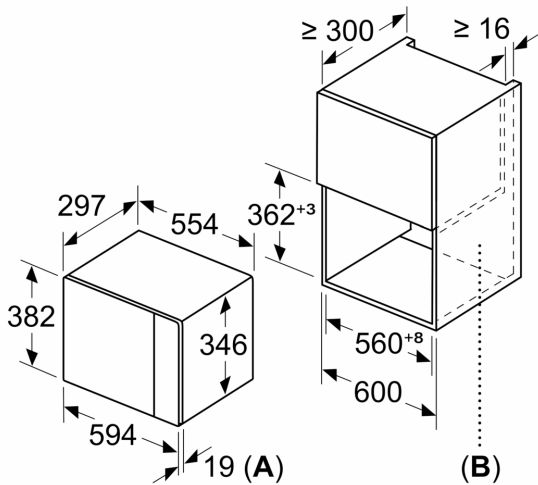
Measurements in mm



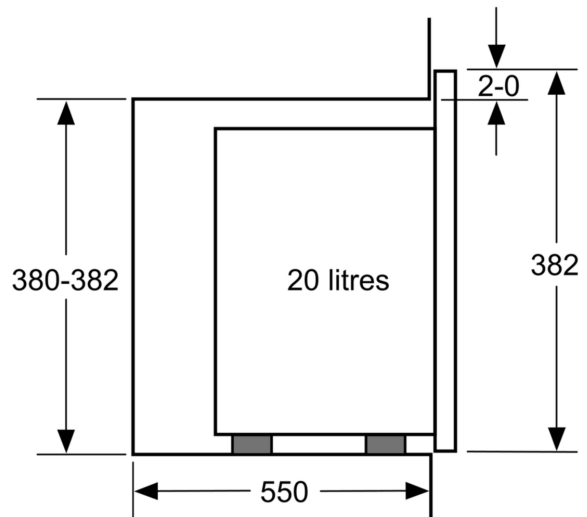
* 20 mm for metal fascia

measurements in mm

Measurements in mm



A: 20 mm for metal fascia
B: Back panel open



measurements in mm

