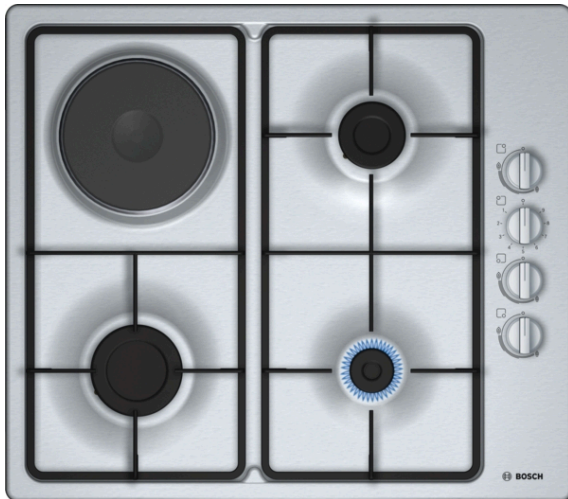


**Series 2, Mixed hob (gas and electric),
60 cm, Stainless steel
PBY6C5B600**



Included accessories
1 x cross support for espresso

**The gas hob with side-mounted controls:
the desired cooking zones can be
conveniently operated from the side.**

- **Continuous cast-iron finish pan supports:** for maximum stability.
- **Sword knobs:** for an ergonomic control.
- **Surface colour:** elegant stainless-steel design.
- Low profile stainless steel cooking surface is easily accessible and quick to clean.
- Seamless, One-Piece Stainless Steel Design Makes Clean-up Simple

Technical Data

Product name/family : mixed hob w integr controls
 Construction type : Built-in
 Energy input : Mixed
 Total number of positions that can be used at the same time : 3
 Type of control setting devices : sword knobs
 Required niche size for installation (HxWxD) : 43 x 560-560 x 480-490 mm
 Width of the appliance : 580 mm
 Dimensions : 54 x 580 x 510 mm
 Dimensions of the packed product (HxWxD) : 150 x 615 x 565 mm
 Net weight : 7.9 kg
 Gross weight : 8.7 kg
 Residual heat indicator : without
 Location of control panel : Hob lateral
 Basic surface material : Stainless steel
 Color of surface : Stainless steel
 Approval certificates : TSE
 Length electrical supply cord : 100 cm
 Knob Material : Plastic
 Sealed Burners : No
 Power of heating element (kW) : 3 kW
 Power of 5th heating element (kW) : 1.7 kW
 Connection Rating : 1000 W
 Gas connection rating : 5700 W
 Fuse protection : 10 A
 Voltage : 220-240 V
 Frequency : 60; 50 Hz
 Main colour of product : Stainless steel
 Energy input : Mixed
 Gas type : Nat gas H/E/(L) 20 (25) mbar
 Alternative gas type : Liquid gas G30,31 28-30/37mbar
 Approval certificates : TSE
 Plug type : Gardy plug w/ earthing
 Appliance Dimensions (h x w x d) (in) : + x x
 Dimensions of the packed product : 5.90 x 22.24 x 24.21
 Net weight : 17.000 lbs
 Gross weight : 19.000 lbs
 Total number of positions that can be used at the same time : 3
 Length electrical supply cord : 100 cm
 Required niche size for installation (HxWxD) : 43 x 560-560 x 480-490 mm
 Dimensions : 54 x 580 x 510 mm
 Dimensions of the packed product (HxWxD) : 150 x 615 x 565 mm
 Net weight : 7.9 kg
 Gross weight : 8.7 kg

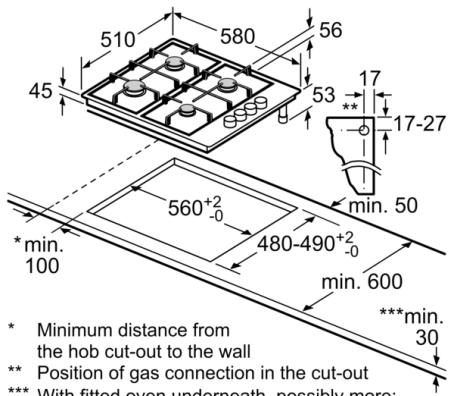


**Series 2, Mixed hob (gas and electric), 60
cm, Stainless steel
PBY6C5B600**

**The gas hob with side-mounted controls: the
desired cooking zones can be conveniently
operated from the side.**

- Front left: Rapid burner up to 3 KW (depending on gas type)
- Rear left: standard cooking zone up to 1 KW (depending on gas type)
- Rear right: Standard burner up to 1.7 KW (depending on gas type)
- Front right: Economy burner up to 1 KW (depending on gas type)
- 1 Hand ignition
- Flame failure safety device
- Cast iron finish pan support with rubber feet
- Preset for natural gas (20mbar)
- Liquid gas nozzles (28-30/37mbar) included

**Series 2, Mixed hob (gas and electric), 60 cm, Stainless steel
PBY6C5B600**



- * Minimum distance from the hob cut-out to the wall
 - ** Position of gas connection in the cut-out
 - *** With fitted oven underneath, possibly more; see space requirements for the oven
- measurements in mm