

Series 8, Built-in oven with microwave function, 60 x 60 cm, Stainless steel HMG636BS1



Included accessories

- 1 x enamel baking tray
- 1 x combination grid
- 1 x universal pan

- **Microwave function:** for quick warming up or for fast cooking in combination with hotair.
- **4D hotair:** even heat distribution for perfect results – on any level.
- **TFT-touchdisplay:** easy-to-use thanks to the control ring with clear text and images.
- **EcoClean Direct:** less cleaning effort thanks to a special coating of the rear wall that automatically absorbs grime.
- **LED-light:** perfect illumination of foods with minimum energy
- **LED-light:** perfect illumination of foods with minimum energy consumption.

Technical Data

Type of micro-wave oven : MW-Combi

Type of control : Electronic

Color / Material Front : Stainless steel

Dimensions : 595 x 594 x 548 mm

Cavity dimensions : 357.0 x 480 x 392.0 mm

Length electrical supply cord : 120 cm

Net weight : 42.2 kg

Gross weight : 44.6 kg

Max. microwave power level : 800 W

Number of Power Levels : 5

Turntable : No

Cavity material : Enamelled steel

Door opening : Handle

Clock : Yes

Included accessories : 1 x enamel baking tray, 1 x combination grid, 1 x universal pan

Main colour of product : Stainless steel

Height of the product : 595 mm

Width of the appliance : 594 mm

Depth of the product : 548 mm

Max. microwave power level : 800 W

Connection Rating : 3600 W

Fuse protection : 16 A

Voltage : 220-240 V

Frequency : 60; 50 Hz

Plug type : Gardy plug w/ earthing

Color / Material Front : Stainless steel

Required cutout/niche size for installation (in) : x x

Dimensions of the packed product : 26.37 x 26.37 x 26.77

Net weight : 93.000 lbs

Gross weight : 98.000 lbs

Included accessories : 1 x enamel baking tray, 1 x combination grid, 1 x universal pan



4 242002 808178

Series 8, Built-in oven with microwave function, 60 x 60 cm, Stainless steel HMG636BS1

Type of oven / heating system:

- Oven with microwave with 9 heating methods: 4D hotair, Hotair Eco,, Conventional heat, Conventional heat ECO, Hot air grilling, Full width grill, Half width grill, Pizza setting, Bottom heat
- Additional heating methods with microwave: microwave, combi microwave variable
- Intelligent inverter technology: maximum output power will be regulated to 600 W when used in longer operation
- Cavity volume: 67 l

Comfort:

- 3x 2,5"-TFT color and graphics display with direct touch function
- Supporting systems: Dish Assist
- Electronic clock
- Automatic rapid heating up
- LED light, Switch for oven illumination
- Integral cooling fan

Accessory:

- universal pan, enamel baking tray, combination grid

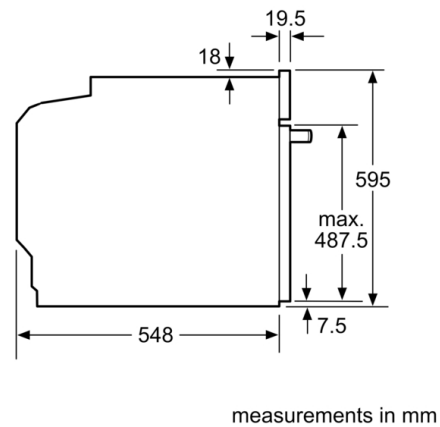
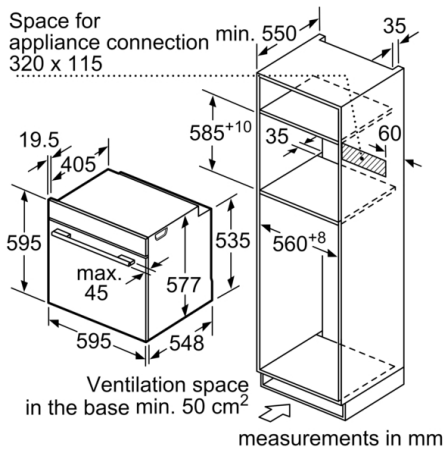
Environment and Safety:

- Child lock
Automatic switch off Residual heat indicator Start-/Stop button Door contact switch

Technical Information

- Length of mains cable: 120 cm
- Total connected load electric: 3.6 KW
- Appliance dimension (hxwxd): 595 mm x 594 mm x 548 mm
- Niche dimension (hxwxd): 585 mm - 595 mm x 560 mm - 568 mm x 550 mm
- "Please reference the built-in dimensions provided in the installation drawing"

Series 8, Built-in oven with microwave function, 60 x 60 cm, Stainless steel HMG636BS1



If the appliance will be installed underneath a hob, the following worktop thicknesses (including substructure if necessary) must be taken into account.

Hob type	min. worktop thickness	
	fitted	flush
Induction hob	37 mm	38 mm
Full surface Induction hob	47 mm	48 mm
Gas hob	30 mm	38 mm
Electric hob	27 mm	30 mm

