

**Series 6, Gas range cooker, Stainless steel
HGX5G7W59S**



The gas Range Cooker with gas hob: enjoy the benefits of gas when cooking and baking.

- **The stainless-steel gas cooktop:** its high quality and premium design lets you enjoy cooking longer.
- **Low profile stainless steel cooking surface is easily accessible and quick to clean.**

Built-in / Free-standing:Free-standing
Dimensions: 844-889 x 894 x 607 mm
Length electrical supply cord: 140.0 cm
Net weight:81.8 kg
Gross weight: 87.5 kg
Heating modes::defrost, rotisserie, Gas grill/broiler, Gas bottom heating, Gas bottom & hot air & ring, Circulated gas bottom heat
Integrated Cleaning system: Ecolyse coating all sides
Included accessories: 1 x rotary spit, 1 x nozzle set for liquid gas, 1 x cross support for espresso, 2 x grid, 1 x universal pan
Broil Element Wattages cavity 1:3100 W
Power of heating element (kW):3 kW
Power of 3rd heating element (kW): 1.75 kW
Connection rating: 1700 W
Fuse protection:16 A
Voltage: 220-240 V
Frequency: 50; 60 Hz
Plug type: Gardy plug w/ earthing
Energy input:Gas
Gas type: Nat gas H/E/(L) 20 (25) mbar
Gross weight: 193.000 lbs
Length electrical supply cord: 140.0 cm
Dimensions: 844-889 x 894 x 607 mm
Dimensions of the packed product (HxWxD): 870 x 985 x 703 mm





Series 6, Gas range cooker, Stainless steel HGX5G7W59S

The gas Range Cooker with gas hob: enjoy the benefits of gas when cooking and baking.

Cooktop:

- Gas hob
- 1 rapid, 2 standard, 1 economy, 1 wok burner
- Front left: Rapid burner 3 KW
- Rear left: Standard burner 1.75 KW
- Center: Wok burner 4.2 KW
- Rear right: Standard burner 1.75 KW
- Front right: Economy burner 1 KW
- 1 Hand ignition
- Flame failure safety device
- Cast iron continuous pan supports
- Glass cover lid

Type of oven / heating system:

- Gas oven
- 6cooking functions:
- Defrost setting
- Rotisserie Gas grill Gas bottom heat Gas bottom & hot air & ring
Circulated gas bottom heat

Design:

- Extra large net capacity oven (125 l)
- smooth cavity

Comfort:

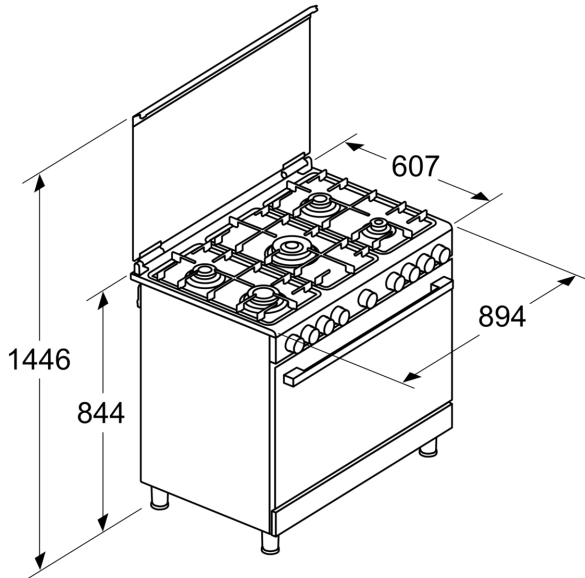
- Storage compartment

Technical Information

- Preset for natural gas (20mbar)

Series 6, Gas range cooker, Stainless steel
HGX5G7W59S

measurements in mm



measurements in mm

