

**Series 2, Built-in oven, 60 x 60 cm,
Black
HBF113BA0Q**



1 x enamel baking tray, 1 x combination grid, 1 x universal pan

HEZ317000	Pizza pan, enamelled
HEZ327000	Pizza stone
HEZ425001	Grill tray
HEZ431002	Baking tray, enamelled
HEZ438201	2 level telescopic shelf rails
HEZ438301	3 level telescopic shelf rails
HEZ625071	Grill tray, anthracite
HEZ915003	Glass roasting dish, 5,4 L

The built-in oven with 3D hotair: achieve perfect baking and roasting results on up to three levels simultaneously.

- **LED-display control, red:** easy-to-use thanks to the time functions.

Gross weight: 34.1 kg
 Built-in / Free-standing: Built-in
 Integrated Cleaning system:Hydrolytic
 Min. required niche size for installation (HxWxD): 575-597 x 560-568 x 550 mm
 Dimensions: 595 x 594 x 548 mm
 Dimensions of the packed product (HxWxD): 660 x 655 x 675 mm
 Control Panel Material: metal lacquered
 Door Material: Glass
 Net weight: 32.0 kg
 Usable volume of cavity: 66 l
 Heating modes::Hotair gentle, Hot Air, Conventional heat, Hot air grilling, Full width variable grill
 First cavity material: Other
 Number of interior lights: 1
 Length electrical supply cord: 100.0 cm
 Interior Lights - cavity 1: 1
 Included accessories: 1 x enamel baking tray, 1 x combination grid, 1 x universal pan
 Broil Element Wattages cavity 1:2800 W
 Energy efficiency rating:A
 Energy consumption per cycle conventional (2010/30/EC):0.98 kWh/cycle
 Energy consumption per cycle forced air convection (2010/30/EC):79 kWh/cycle
 Energy efficiency index (2010/30/EC):95.2 %
 Connection rating: 3300 W
 Fuse protection:16 A
 Voltage: 220-240 V
 Frequency: 60; 50 Hz
 Plug type: Gardy plug w/ earthing
 Energy input:Electric
 Required cutout/niche size for installation (in):x
 Dimensions of the packed product: 25.98 x 25.78 x 26.57
 Net weight:71.000 lbs
 Gross weight: 75.000 lbs
 Length electrical supply cord: 100.0 cm
 Net weight: 32.0 kg



**Series 2, Built-in oven, 60 x 60 cm,
Black
HBF113BA0Q**

The built-in oven with 3D hotair: achieve perfect baking and roasting results on up to three levels simultaneously.

Type of oven / heating system:

- Oven with 5 heating methods: 3D hotair, Conventional heat, Hot air grilling, Hotair gentle, Full width variable grill
- Temperature range 50 °C - 275 °C
- Cavity volume: 66 l

Hook-in racks / rails

- Not available

Design:

Cleaning:

- Innerdoor main: Full glass inner door

Comfort:

- LED-display control (red)
- Drop down door
- Fast preheat
- Halogen interior lighting
- combination grid, enamel baking tray, universal pan

Environment and Safety:

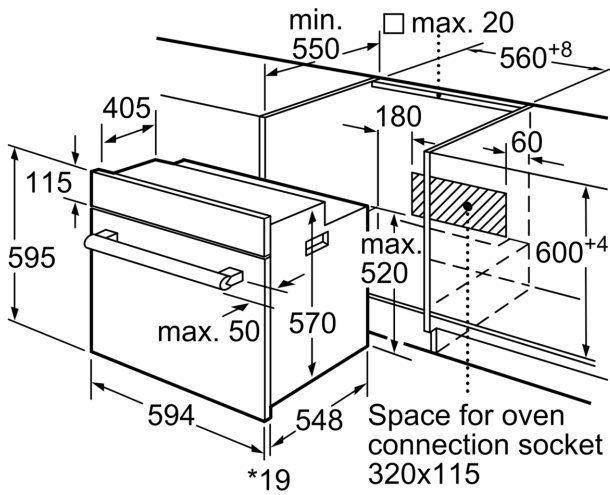
Technical Information

- Length of mains cable: 100 cm
- Nominal voltage: 220 - 240 V
- Total connected load electric: 3.3 KW
- Energy efficiency rating (acc. EU Nr. 65/2014): A(at a range of energy efficiency classes from A+++ to D)
- Energy consumption per cycle in conventional mode:0.98 kWh
Energy consumption per cycle in fan-forced convection mode: 0.79 kWh
Number of cavities: 1 Heat source: electrical Cavity volume: 66 l

Dimensions:

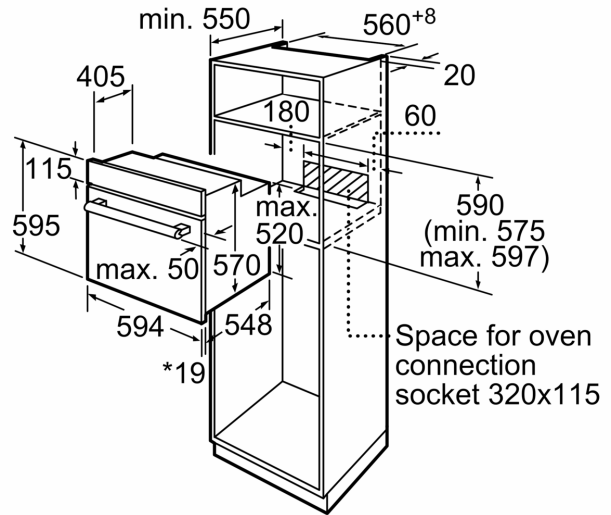
- Appliance dimension (hxwxd): 595 mm x 594 mm x 548 mm
- Niche dimension (hxwxd): 575 mm - 597 mm x 560 mm - 568 mm x 550 mm
- "Please reference the built-in dimensions provided in the installation drawing"

**Series 2, Built-in oven, 60 x 60 cm,
Black
HBF113BA0Q**



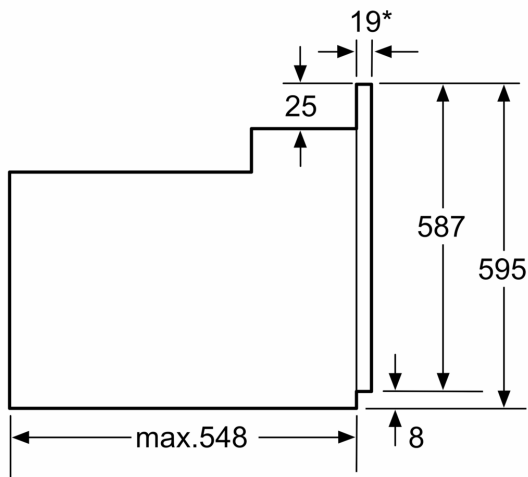
* 20 mm for metal fascias

measurements in mm



* 20 mm for metal fascias

measurements in mm



* 20 mm for metal fascias

Dimensions in mm