

**Series 2, Built-in oven, 60 x 60 cm,
Stainless steel
HBF011BR1**



Included accessories

1 x enamel baking tray
1 x combination grid
1 x universal pan

**The built-in oven with 3D hotair: achieve
perfect baking and roasting results on up to
three levels simultaneously.**

Technical Data

Gross weight : 33.3 kg
Color / Material Front : Stainless steel
Built-in / Free-standing : Built-in
Integrated Cleaning system : No
Min. required niche size for installation (HxWxD) : 575-597 x
560-568 x 550 mm
Dimensions : 595 x 594 x 548 mm
Dimensions of the packed product (HxWxD) : 652 x 675 x 655
mm
Control Panel Material : Stainless steel
Door Material : Glass
Net weight : 31.1 kg
Usable volume of cavity : 66 l
Heating modes: : Conventional heat, Defrost, Full width variable
grill, Hot Air, Hot air grilling
First cavity material : Other
Number of interior lights : 1
Length electrical supply cord : 100.0 cm
Interior Lights - cavity 1 : 1
Included accessories : 1 x enamel baking tray, 1 x combination
grid, 1 x universal pan
Broil Element Wattages cavity 1 : 2800 W
Energy efficiency rating : A
Energy consumption per cycle conventional (2010/30/EC) : 0.98
kWh/cycle
Energy consumption per cycle forced air convection (2010/30/
EC) : 0.82 kWh/cycle
Energy efficiency index (2010/30/EC) : 98.8 %
Connection Rating : 3300 W
Fuse protection : 16 A
Voltage : 220-240 V
Frequency : 50-60 Hz
Plug type : GARDY plug w/ earthing
Color / Material Front : Stainless steel
Energy input : Electric
Required cutout/niche size for installation (in) : x x
Dimensions of the packed product : 25.66 x 25.78 x 26.57
Net weight : 69.000 lbs
Gross weight : 73.000 lbs
Length electrical supply cord : 100.0 cm
Net weight : 31.1 kg
Included accessories : 1 x enamel baking tray, 1 x combination
grid, 1 x universal pan



Series 2, Built-in oven, 60 x 60 cm, Stainless steel

HBF011BR1

The built-in oven with 3D hotair: achieve perfect baking and roasting results on up to three levels simultaneously.

Type of oven / heating system:

- Oven with 5 heating methods: 3D hotair, Conventional heat, Hot air grilling, Defrost, Full width variable grill
- Temperature range 50 °C - 270 °C
- Cavity volume: 66 l

Hook-in racks / rails

- Number of shelf levels: 4 PC

Design:

- Rotary Control
- Cavity inner surface: enamel brown

Cleaning:

Comfort:

- Mechanical timer
- Bar handle
- Fast preheat
- Halogen interior lighting
- Integral cooling fan

Accessory:

- universal pan, combination grid, enamel baking tray

Environment and Safety:

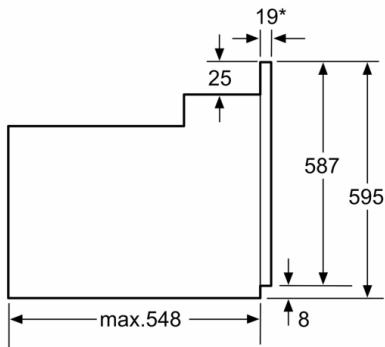
Technical Information

- Length of mains cable: 100 cm
- Nominal voltage: 220 - 240 V
- Total connected load electric: 3.3 KW
- Energy efficiency rating (acc. EU Nr. 65/2014): A(at a range of energy efficiency classes from A+++ to D)
Energy consumption per cycle in conventional mode:0.98 kWh
Energy consumption per cycle in fan-forced convection mode:0.82 kWh
Number of cavities: 1 Heat source: electrical Cavity volume:66 l

Dimensions:

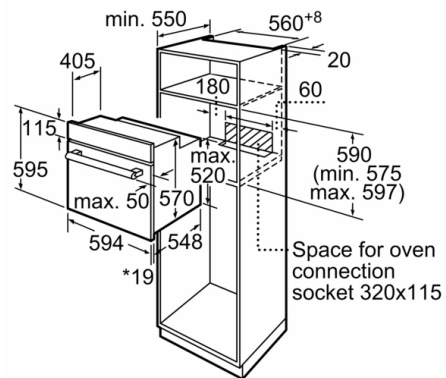
- Appliance dimension (hxwxh): 595 mm x 594 mm x 548 mm
- Niche dimension (hxwxh): 575 mm - 597 mm x 560 mm - 568 mm x 550 mm
- "Please reference the built-in dimensions provided in the installation drawing"

Series 2, Built-in oven, 60 x 60 cm, Stainless steel
HBF011BR1



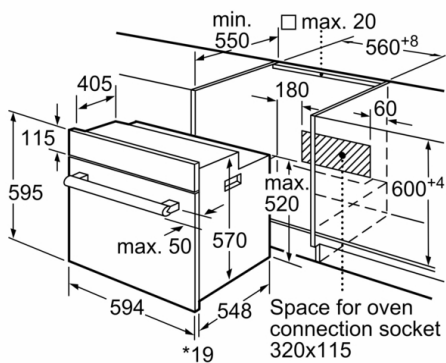
* 20 mm for metal fascias

Dimensions in mm



* 20 mm for metal fascias

measurements in mm



* 20 mm for metal fascias

measurements in mm